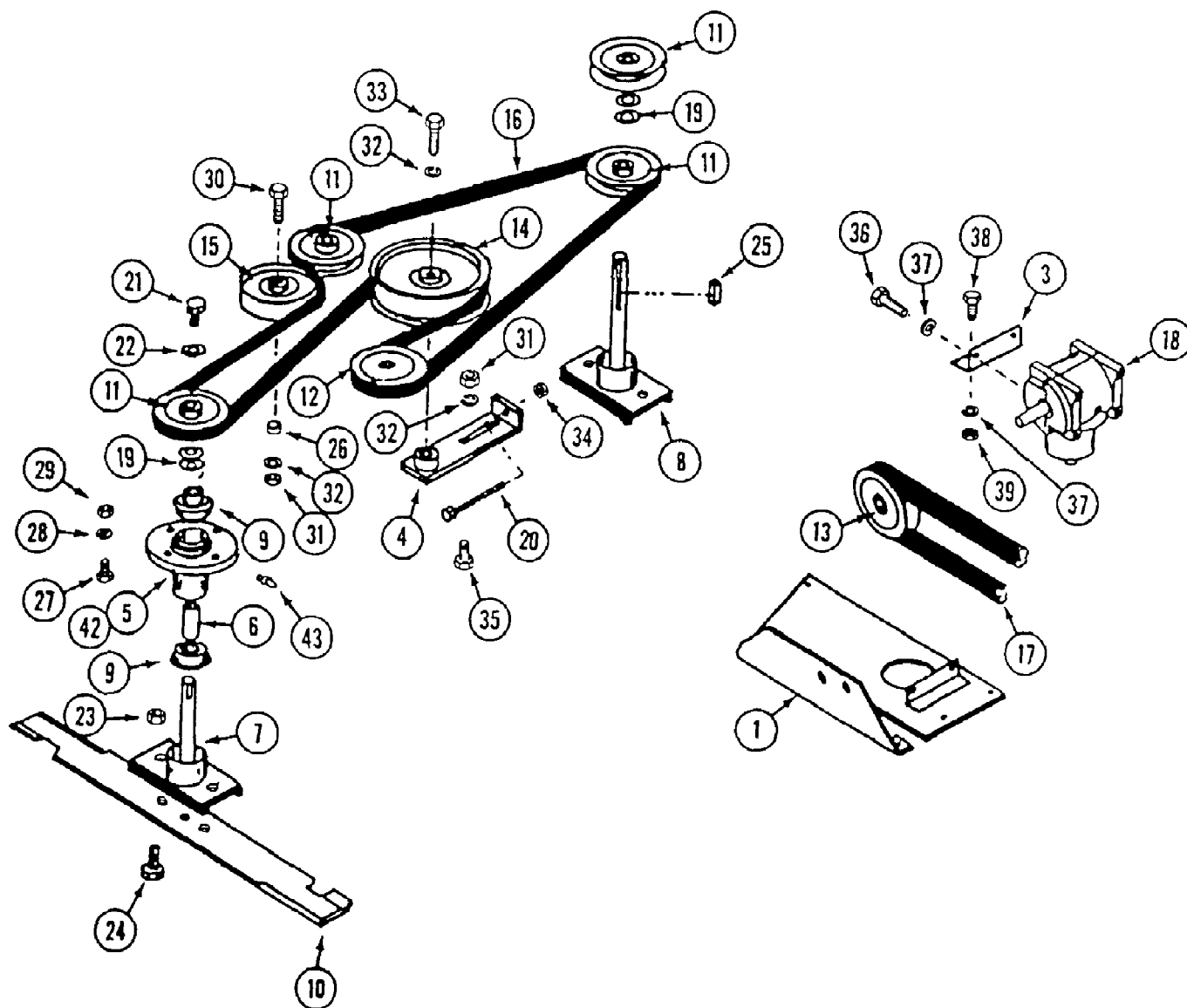


135-006-190 FR-16 (1995)
52" Mower Deck & Attaching Parts

Page 2 of 46

Ref #	Part Number	Qty	S/P/F	Description
1	WD-C44086	1		DECK - 52"
2	WD-320-0015	1		CHUTE - foot guard
3	WD-C44612	1		MOUNT - foot guard
4	WD-320-0011	1		COVER - pulley
5	WD-320-0022	1		COVER - center
6	WD-320-0001	1		COVER - L.H.
7	WD-320-0014	1		SHOE - skid
8	WD-900-5559	1		ROLLER - anti-scalp
9	WD-300-0038	1		SHAFT - roller
10	WD-300-0044	2	S	BRACKET - gauge wheel mount
11	WD-300-0043	2		MOUNT - gauge wheel
12	WD-330-0007	2		FORK
13	WD-200-0017	2	S	AXLE - wheel
14	WD-900-4004	2		WHEEL - gauge
	WD-900-4006	1		TIRE - 11 x 4.00 - 5
	WD-900-4005	1		RIM - 5"
	WD-900-3505	2	S	BEARING - wheel
15	WD-900-6133	2	S	BOLT - 1/2" - 13 x 6-1/2"
16	WD-900-6096	4		BOLT - wing
17	WD-900-6092	4		NUT - gauge wheel handle
18	WD-900-2044	1	S	BREAKER - circuit, 10 amp.
19	WD-900-5510	2		COLLAR - set
20	WD-900-3501	4	S	BEARING - 1"
21	WD-900-5615	1		PIN - "fas-tatch"
22	WD-141-56	1		PIN - deck
23	WD-C29029	2		PIN - cotter, hair
26	WD-113-3	4		BOLT - 1/4" - 20 x 3/4"
27	WD-192-19	2		LOCKWASHER - 1/4"
28	WD-129-101	2		NUT - 1/4" - 20
29	WD-131-71	2		NUT - 1/4" - 20 lock
30	WD-113-1	2		BOLT - 1/4" - 20 x 1"
31	WD-195-102	1		WASHER - 1/4"
32	WD-C37993	2		FITTING - grease
33	WD-C37756	2		SCREW - set 5/16" - 18 x 1/2" square head
34	WD-900-6151	6		LOCKWASHER - 5/16"
35	WD-129-102	6		NUT - 5/16" - 18
36	WD-192-23	2		LOCKWASHER - 1/2"
37	WD-129-105	2	S	NUT - 1/2" - 13
?38	WD-113-102	2		BOLT - 5/16" - 18 x 3/4"
39	WD-111-202	2		BOLT - 5/16" - 18 x 3/4" carriage
40	WD-182-528	2		SCREW - #10 - 32 x 1/2"
41	WD-900-6150	2		NUT - #10 - 32
42	WD-111-203	6		BOLT - 5/16" - 18 x 1" carriage

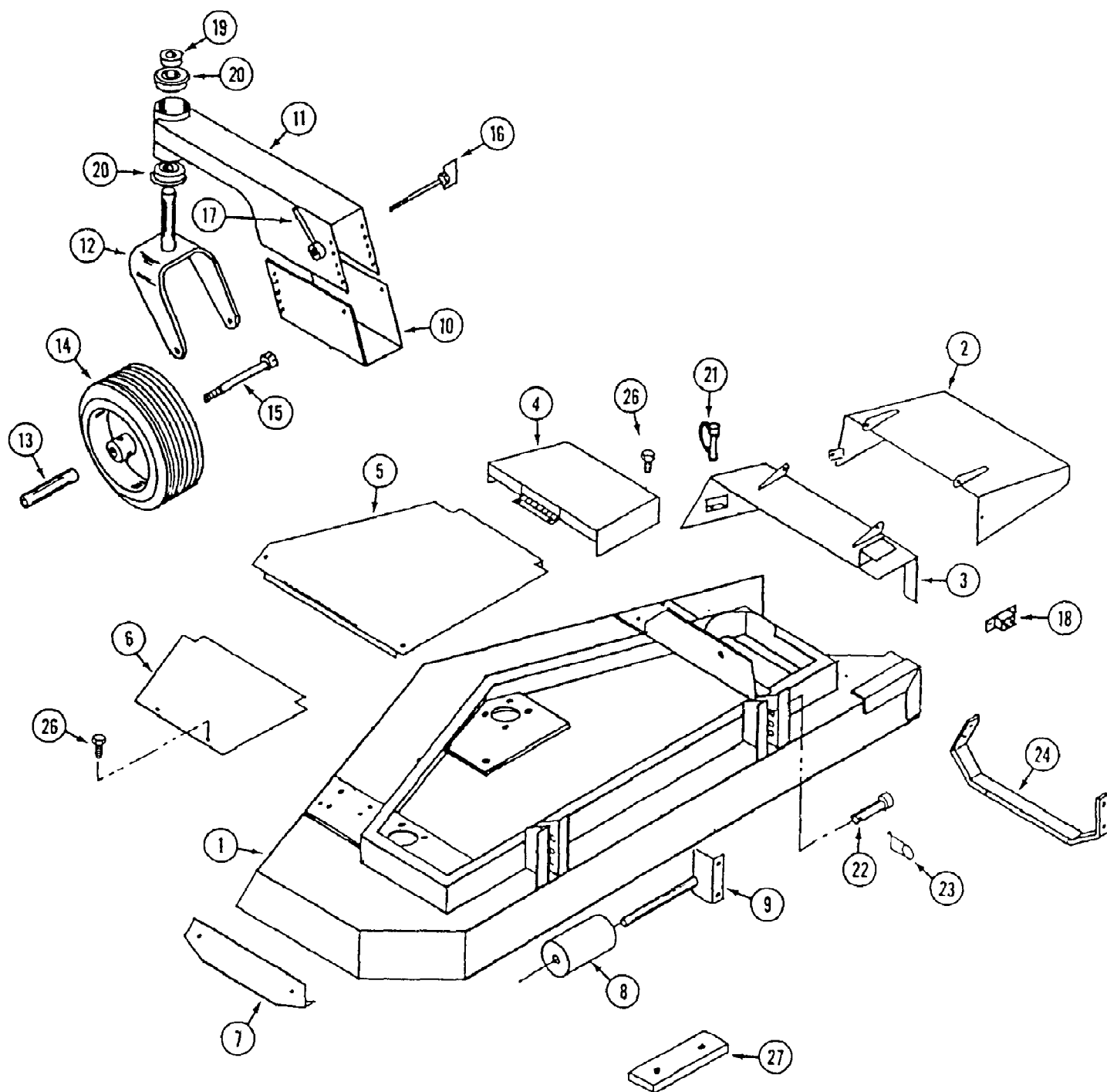


135-006-190 FR-16 (1995)
52" Mower Drive

Page 4 of 46

Ref #	Part Number	Qty	S/P/F	Description
1	WD-321-0001	1		MOUNT - gear box
3	WD-310-0006	1		ANGLE - gear box mount
4	WD-C45653	1		TIGHTENER - belt
5	WD-300-0025	3	S	HOUSING - spindle
6	WD-C45884	3		SPACER - spindle
7	WD-C44128	3		SHAFT - spindle
8	WD-C44130	1		SHAFT - spindle, long
9	WD-C45886	3		BEARING - spindle
10	WD-C44136	3		BLADE - mower
11	WD-900-2511	4	S	PULLEY - spindle
12	WD-900-2510	1		PULLEY - gear box output
13	WD-900-2525	1	S	PULLEY - gear box input
14	WD-900-2521	1	S	PULLEY - idler, large 6"
	WD-C45649	1		PULLEY - idler, large 5-1/2"
15	WD-C45655	1	/P	PULLEY - idler, small
16	WD-900-3005B	1	S	BELT - deck
17	WD-900-3004	1	S	BELT - drive
18	WD-900-5842	1	S	GEAR BOX - angle drive (For repairs) (Curtis model)
	WD-C42775	1	S	GEAR BOX - angle drive (For repairs) (Superior model)
19	WD-900-6002	6	S	SPACER - washer
20	WD-900-6034	1		BOLT - 1/4" - 20 x 4"
21	WD-114-201	3	/P	BOLT - 3/8" - 24 x 1-1/4"
22	WD-C45846	3		WASHER - 3/8" hardend
23	WD-131-1216	6		NUT - 3/8" - 16 lock
24	WD-113-268	6		BOLT - 3/8" - 16 x 1"
25	WD-300-0021	6	S	KEY - 3/16" x 1"
26	WD-300-0016	1	S	SPACER - idler pulley (Early production)
27	WD-113-312	12		BOLT - 7/16" - 14 x 1-1/4"
28	WD-192-22	12		LOCKWASHER - 7/16"
29	WD-129-104	12		NUT - 7/16" - 14
30	WD-113-257	UAR		BOLT - 3/8" - 16 x 2-1/2"
	WD-113-213	UAR		BOLT - 3/8" - 16 x 2-1/4"
31	WD-129-103	1	S	NUT - 3/8" lock
	WD-131-1352	UAR		NUT - 3/8" - 16 flange lock
32	WD-192-21	UAR	S	LOCKWASHER - 3/8"
33	WD-113-208	1		BOLT - 3/8" - 16 x 1-1/4"
34	WD-131-71	1		NUT - 1/4" - 20 lock
35	WD-111-371	1		BOLT - 3/8" - 16 x 1" carriage
36	WD-113-103	4		BOLT - 5/16" - 18 x 1"
37	WD-192-20	5		LOCKWASHER - 5/16"
38	WD-113-102	1		BOLT - 5/16" - 18 x 3/4"
39	WD-129-102	1		NUT - 5/16" - 18
?40	WD-113-1	2		BOLT - 1/4" - 20 x 1/2"
?41	WD-192-19	2		LOCKWASHER - 1/4"
42	WD-C45859	3	/P	HOUSING ASSEMBLY - spindle (Includes ref. 5, 6, 9)
43	WD-219-20	3		FITTING - grease 1/4" - 28

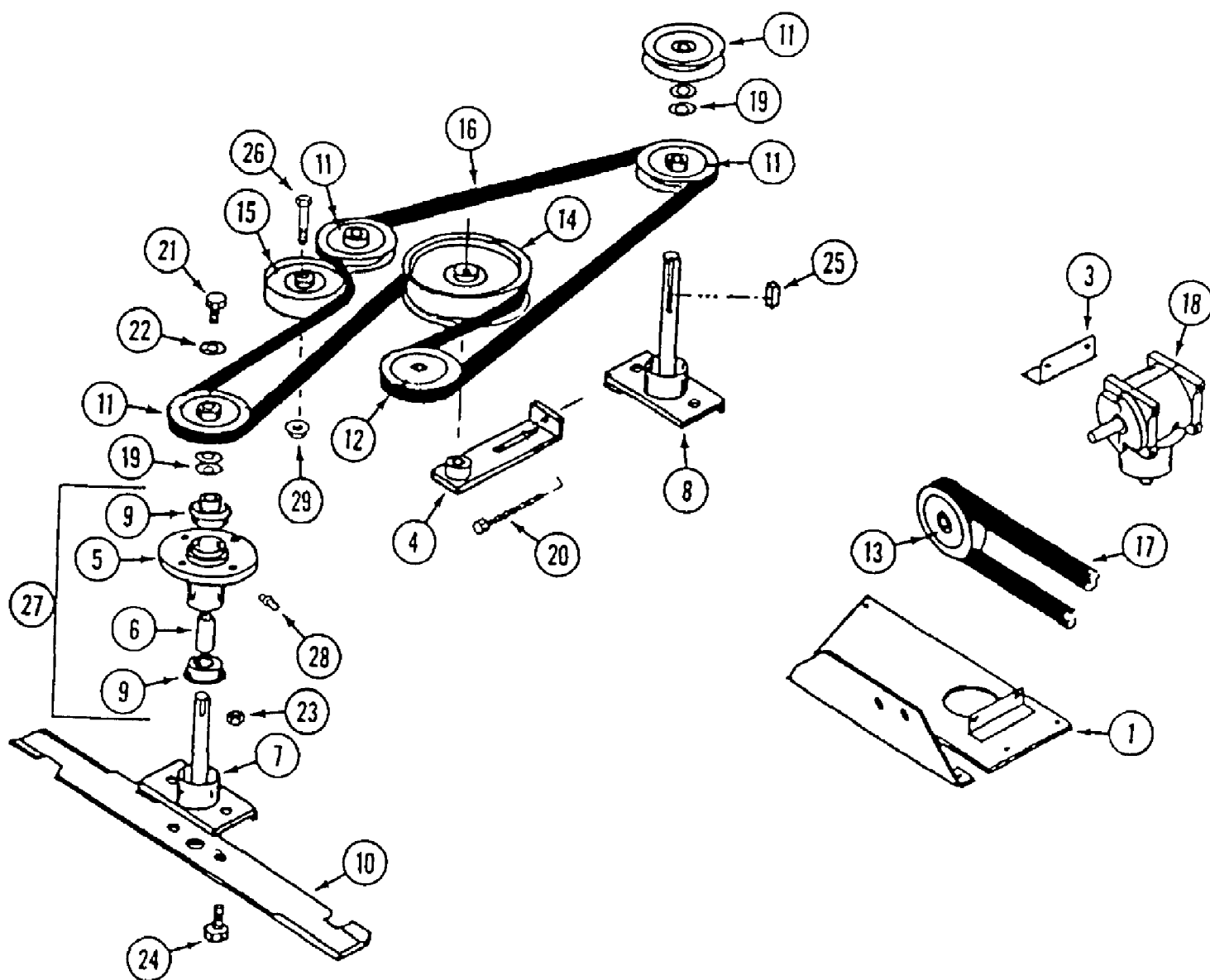
135-006-190 FR-16 (1995)
62" Mower Deck & Attaching Parts



135-006-190 FR-16 (1995)
62" Mower Deck & Attaching Parts

Page 6 of 46

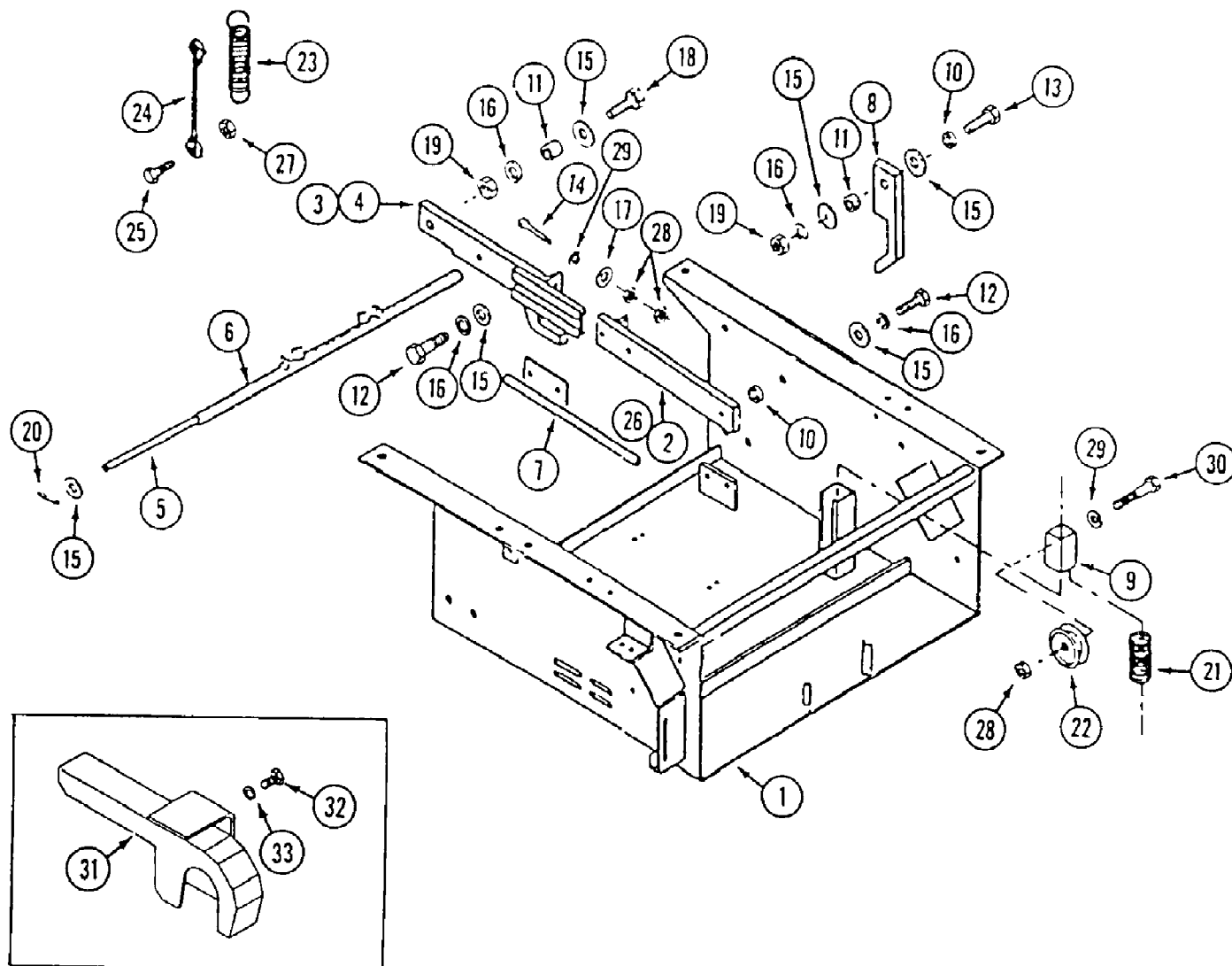
Ref #	Part Number	Qty	S/P/F	Description
1	WD-C44088	1	S	DECK - 62"
2	WD-330-0027	1		CHUTE - foot guard
3	WD-330-0028	1		MOUNT - foot guard
4	WD-330-0025	1		COVER - pulley
5	WD-330-0002	1		COVER - center
6	WD-330-0001	1		COVER - L.H.
7	WD-330-0008	1	S	SHOE - skid L.H.
8	WD-900-5559	1		ROLLER - anti-skid
9	WD-300-0038	1		SHAFT - roller
10	WD-300-0044	2	S	BRACKET - gauge wheel mount
11	WD-300-0043	2		MOUNT - gauge wheel
12	WD-330-0007	2		FORK - gauge wheel
13	WD-200-0017	2	S	AXLE - gauge wheel
14	WD-900-4004	2		WHEEL - gauge
	WD-900-4006	1		TIRE - 11 x 4.00 - 5
	WD-900-4005	1		RIM - 5"
	WD-900-3505	2	S	BEARING - wheel
15	WD-900-6133	2	S	BOLT - 1/2" - 13 x 6-1/2"
16	WD-900-6096	4		BOLT - wing
17	WD-900-6092	4		NUT - gauge wheel handle
18	WD-900-2044	1	S	BREAKER - circuit - 10 amp.
19	WD-900-5510	2		COLLAR - set 1"
20	WD-900-3501	4	S	BEARING - 1"
21	WD-900-5615	1		PIN - "fas-tatch"
22	WD-141-56	2		PIN - deck
23	WD-C29029	2		PIN - cotter, hair
24	WD-330-0011	1	S	SHOE - skid R.H.
?25	~NSS	4		SCREW - thumb 1/4" - 20 x 1/2" (Use 113-3 and 192-19)
26	~NSS	1		SCREW - wing 1/4" - 20 x 1" (Use 113-3)
27	WD-230-0010	3		WEIGHT - tail, 13 lb.



135-006-190 FR-16 (1995)
62" Mower Drive

Page 8 of 46

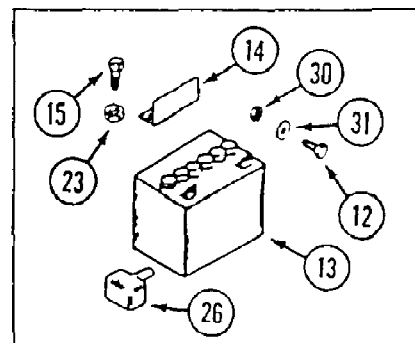
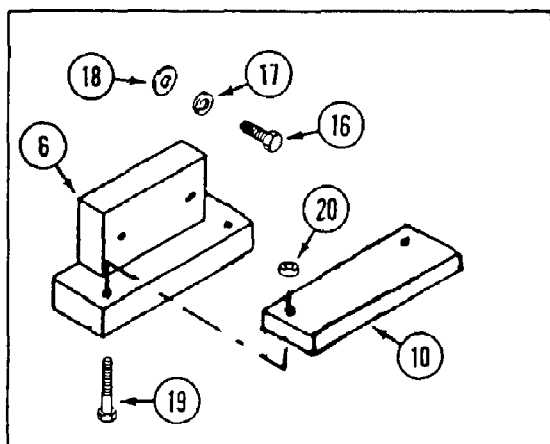
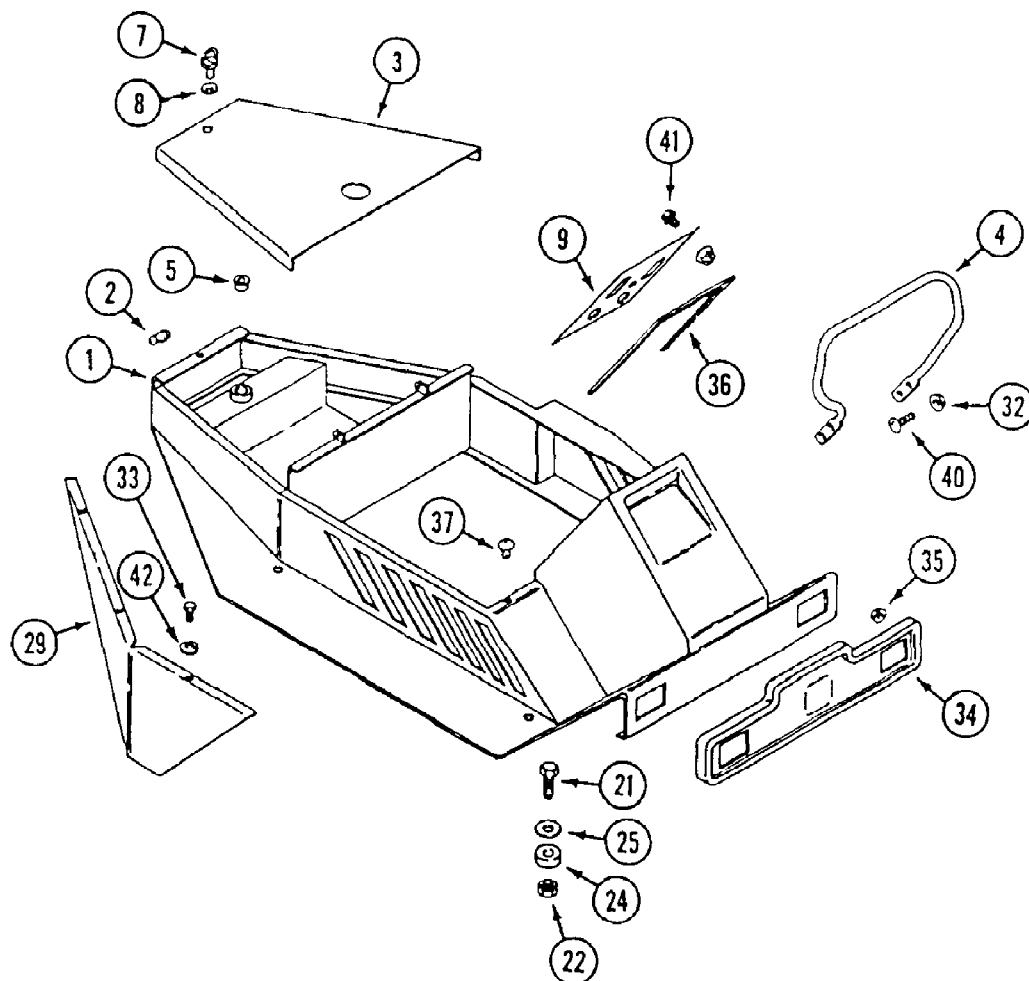
Ref #	Part Number	Qty	S/P/F	Description
1	WD-331-0004	1		MOUNT - gear box
3	WD-310-0006	1		ANGLE - gear box mount
4	WD-C45654	1		TIGHTENER - belt
5	WD-300-0031	3	S	HOUSING - spindle
6	WD-C45885	3		SPACER - spindle
7	WD-C44132	2		SHAFT - spindle, short
8	WD-C44134	1		SHAFT - spindle, long
9	WD-C45886	6		BEARING - spindle
10	WD-C44138	3		BLADE
11	WD-900-2512	4		PULLEY - spindle
12	WD-900-2510	1		PULLEY - gear box output
13	WD-900-2525	1	S	PULLEY - gear box input
14	WD-C45649	1		PULLEY - idler, large
15	WD-C45655	1	/P	PULLEY - idler, small
16	WD-900-3008B	1	S	BELT
17	WD-900-3004	1	S	BELT - drive
18	WD-900-5842	1	S	GEAR BOX - angle drive (See "Gear Box (Curtis)" illustration and parts list for service) (Curtis model)
	WD-C42775	1	S	GEAR BOX - angle drive (See "Gear Box (Superior)" illustration and parts list for service) (Superior model)
19	WD-900-6002	6	S	WASHER - spacer
20	WD-900-6034	1		BOLT - 1/4" - 20 x 4"
21	WD-114-201	3	/P	BOLT - 3/8" - 24 x 1-1/4"
22	WD-C45846	3		WASHER - 3/8" hardend
23	WD-131-1216	1		NUT - 3/8" - 16 lock
24	WD-113-268	3		BOLT - 3/8" - 16 x 1"
25	WD-300-0021	6	S	KEY - 3/16" x 3/16" x 1"
26	WD-113-213	1		BOLT - 3/8" - 16 x 2-1/4"
27	WD-C45860	3	/P	HOUSING ASSEMBLY - spindle (Includes ref. 5, 6, 9)
28	WD-219-20	3		FITTING - grease 1/4" - 28
29	WD-131-1352	1		NUT - 3/8" - 16



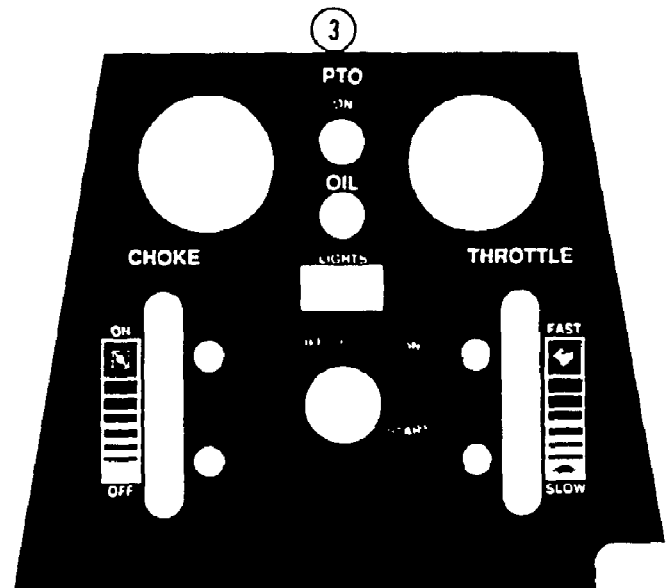
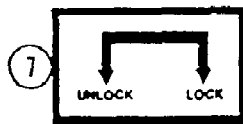
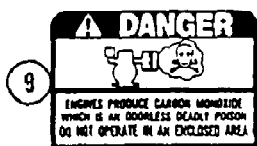
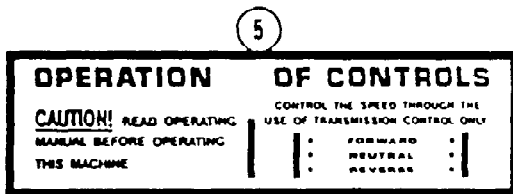
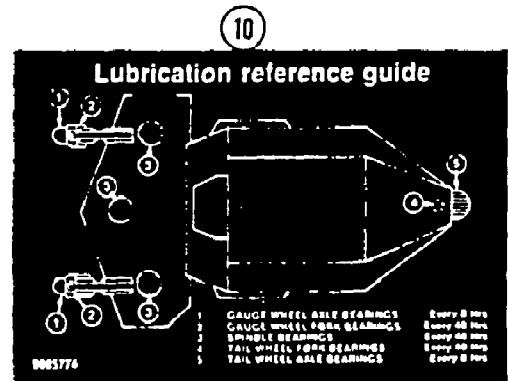
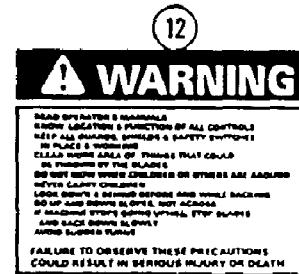
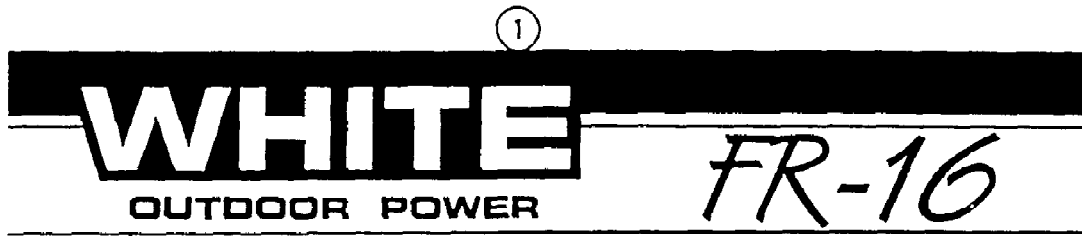
135-006-190 FR-16 (1995)
Base Assembly

Page 10 of 46

Ref #	Part Number	Qty	S/P/F	Description
1	WD-C41005	1		BASE
2	WD-301-0024	1		ARM - deck lift R.H.
3	WD-300-0023LH	1		ARM - front L.H.
4	WD-300-0023RH	1		ARM - front R.H.
5	WD-300-0022	1		PIN - cross bar
6	WD-300-0014	1		BAR - cross
7	WD-300-0041	1		TUBE - wire
8	WD-111-0023	2		LOCK - forward nose down
9	WD-111-0019	1		TUBE - drive idler
10	WD-300-0013S	3	S	BUSHING - deck lift arm (3/8" long)
11	WD-300-0013	1	S	BUSHING - pivot (1/2" long)
12	WD-113-417	6		BOLT - 1/2" - 13 x 1-1/4"
13	WD-113-441	1		BOLT - 1/2" - 13 x 2-1/4"
14	WD-113-210	2		BOLT - 3/8" - 16 x 3"
15	WD-195-106	8		WASHER - 1/2"
16	WD-192-23	7		LOCKWASHER - 1/2"
17	WD-195-104	2		WASHER - 3/8"
18	WD-113-410	2		BOLT - 1/2" - 13 x 1-1/2"
19	WD-129-105	3	S	NUT - 1/2" - 13
20	WD-132-310	2		PIN - cotter 1/8" x 1"
21	WD-900-5580	1		SPRING - idler tension
22	WD-900-2519	1		PULLEY - idler
23	WD-900-5516	2		SPRING - lift assist
24	WD-900-5518	2	S	CABLE - lift
25	WD-113-4	4		BOLT - 1/4" - 20 x 1"
26	WD-301-0024LH	1		ARM - deck lift L.H.
27	WD-131-71	4		NUT - lock 1/4" - 20
28	WD-129-103	5	S	NUT - 3/8" - 16
29	WD-192-21	3	S	LOCKWASHER - 3/8"
30	WD-113-213	1		BOLT - 3/8" - 16 x 2-1/4"
31	WD-C44403	1		GUARD - belt
32	WD-113-102	2		BOLT - 5/16" - 18 x 3/4"
33	WD-192-20	2		LOCKWASHER - 5/16"



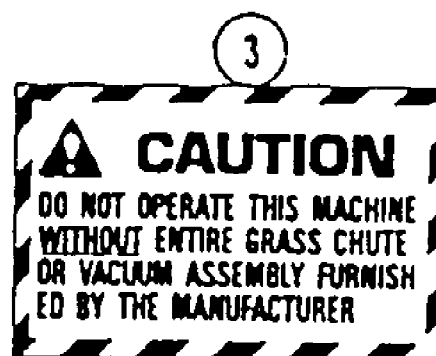
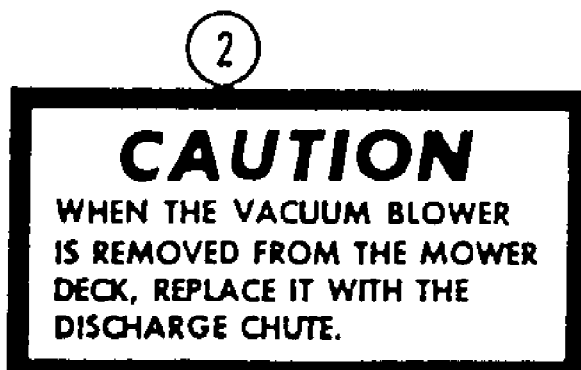
Ref #	Part Number	Qty	S/P/F	Description
1	WD-C44954	1		BODY
2	WD-219-92	1		FITTING - grease
3	WD-C41163	1		COVER - back
4	WD-C44844	1		BAR - handle
5	WD-900-3501	2	S	BEARING - rear wheel fork
6	WD-230-0002	1		WEIGHT - tail (Optional)
7	WD-C41944	1		STUD - fastener
8	WD-C41945	1		GROMMET - fastener
9	WD-C42053	1		PANEL - dash
10	WD-230-0010	2		WEIGHT - tail 13 lb. (Optional)
?11	WD-C34117	2		NUT - #10 - 24 flange lock
12	WD-113-3	2		BOLT - 1/4" - 20 x 3/4"
13	WD-C41010	1	S	BATTERY - 12V, 300 CCA
14	WD-200-0019	1		BRACKET - hold down, battery
15	WD-C38677	2		BOLT - 1/4" - 20 x 7"
16	WD-113-103	2		BOLT - 5/16" - 18 x 1"
17	WD-192-20	2		LOCKWASHER - 5/16"
18	WD-195-103	2		WASHER - 5/16"
19	WD-113-259	2		BOLT - 3/8" - 16 x 4-1/2"
20	WD-131-1352	2		NUT - 3/8" - 16 flange lock
21	WD-113-425	4	S	BOLT - 1/2" - 13 x 3"
22	WD-131-70	4	S	NUT - 1/2" lock
23	WD-131-71	2		NUT - 1/4" - 20 lock
24	WD-900-5509	8		MOUNT - body, rubber
25	WD-200-0015	4		WASHER - mount, body
26	WD-C24069	1		COVER - terminal
?27	WD-C39525	1		PAD - footrest, front L.H.
	WD-C39526	1		PAD - footrest, front R.H. (Shown)
?28	WD-C44955	1		PAD - footrest, rear L.H.
	WD-C44956	1		PAD - footrest, rear R.H.
29	WD-C41167	1		SKIRT - L.H.
	WD-C41171	1		SKIRT - R.H.
30	WD-129-101	2		NUT - 1/4" - 20
31	WD-195-102	2		WASHER - 1/4"
32	WD-131-911	8	S	NUT - 5/16" - 18 flange lock
33	WD-C34808	8		BOLT - 1/4" - 20 x 3/4" self-tap
34	WD-C44973	1		PLATE - face
35	WD-131-971	2		NUT - #8 - 32 flange lock
36	WD-C44035	1		TRIM - 28"
37	WD-C35067	1		BUMPER - nylon
40	WD-C42056	4		BOLT - 5/16" - 18 x 5/8"
41	WD-900-6152	4		SCREW - #12 x 1/2"
	WD-182-513	4		SCREW - #10 - 24 x 1/2"
42	WD-192-19	8		LOCKWASHER - 1/4"



135-006-190 FR-16 (1995)
Decals (Body)

Page 14 of 46

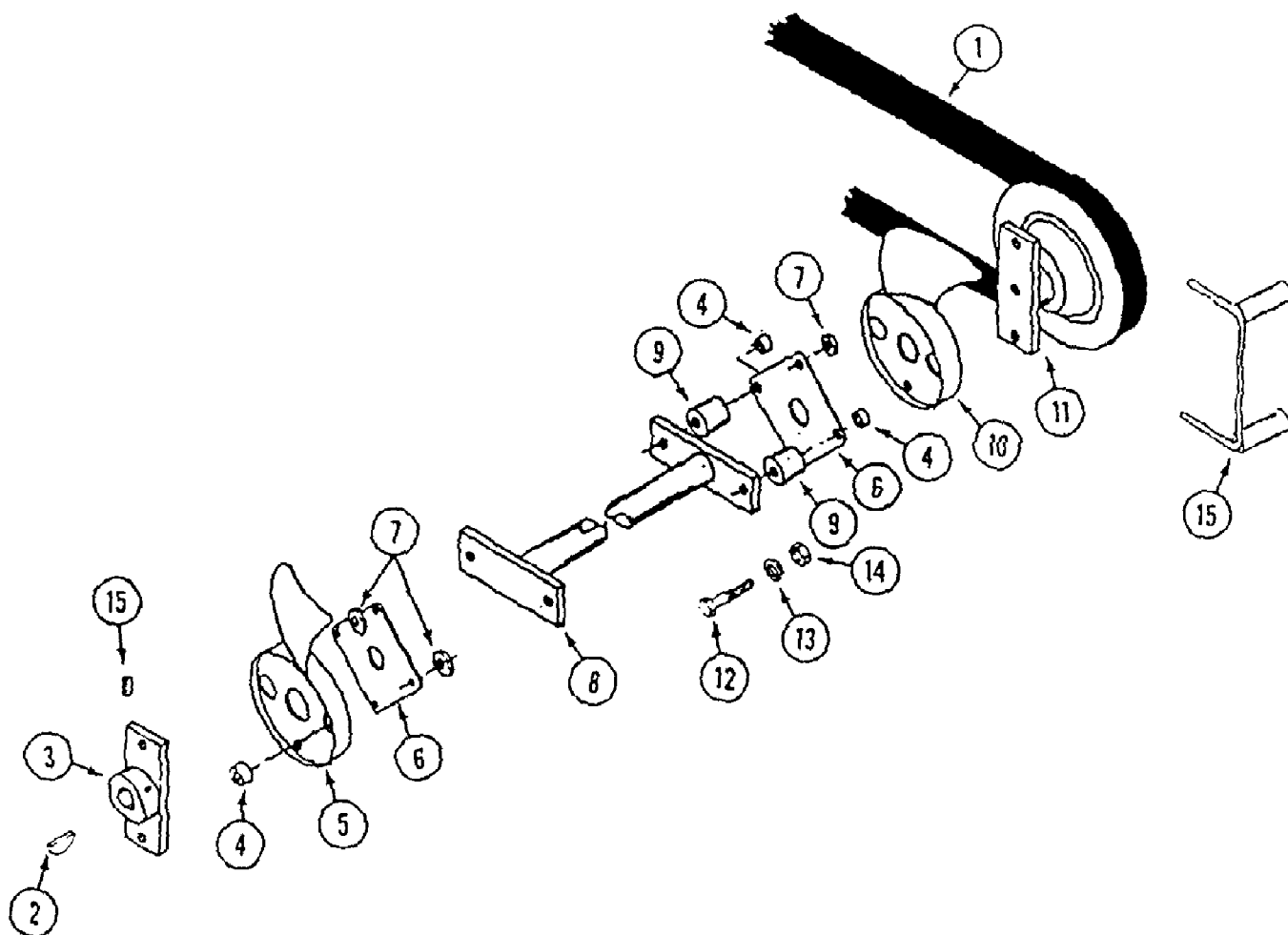
Ref #	Part Number	Qty	S/P/F	Description
1	WD-C45056	1		DECAL - L.H. ("FR-16")
1	WD-C45055	1		DECAL - R.H. ("FR-16"). shown
2	WD-C45054	1		DECAL - front ("FR-16")
3	WD-C44974	1		DECAL - instrument panel
4	WD-777-6550	1		MEDALLION - "Stallion logo"
5	WD-900-5541	1		DECAL - operation
6	WD-900-5543	1		DECAL - caution interlock
7	WD-900-5544	1		DECAL - unlock/lock
8	WD-C37498	1		DECAL - run/park
9	WD-900-5723	1		DECAL - danger carbon monoxide
10	WD-C38807	1		DECAL - lubrication
11	WD-C44979	2		DECAL - brake lock
12	WD-C44340	1		DECAL - warning



135-006-190 FR-16 (1995)
Decals (Deck)

Page 16 of 46

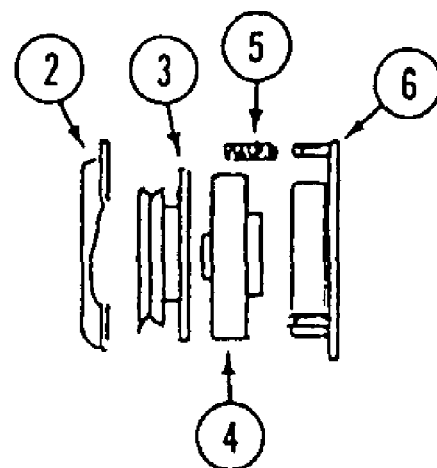
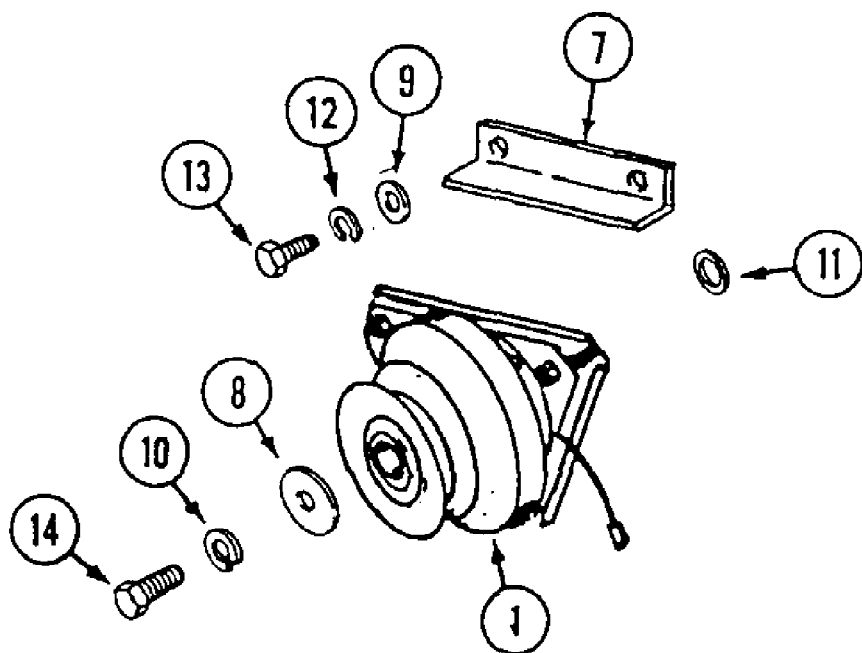
Ref #	Part Number	Qty	S/P/F	Description
1	WD-C37491	1		DECAL - "Whirling Blades"
2	WD-C37492	1		DECAL - "Caution" discharge chute
3	WD-C37493	1		DECAL - "Caution" grass chute
4	WD-C37494	1		DECAL - "Danger"



135-006-190 FR-16 (1995)
Drive Pulley & Cross Shaft (Transmission)

Page 18 of 46

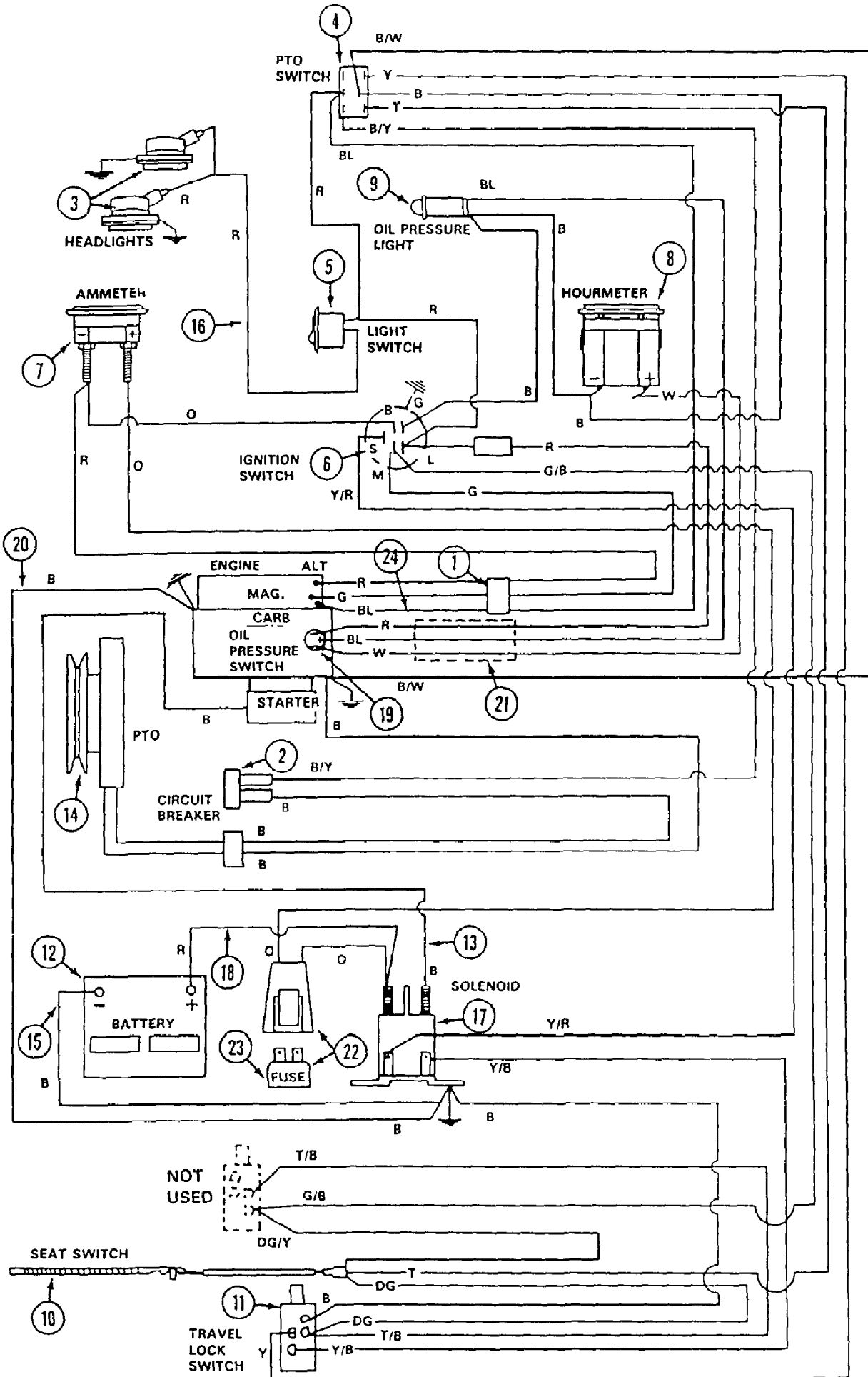
Ref #	Part Number	Qty	S/P/F	Description
1	WD-900-3011	1	S	BELT - transmission drive
2	WD-126-9	2		KEY - woodruff 1/8" x 1/2"
3	WD-900-4522	1		HUB - drive plate
4	WD-111-0025	4		SPACER - bolt
5	WD-900-4520	1		FAN - CCW
6	WD-111-0021	2	S	PLATE - drive
7	WD-900-6161	6		WASHER - 1/4" 10 ga.
8	WD-111-0018	1		SHAFT - cross
9	WD-111-0022	2		SPACER
10	WD-900-4519	1	S	FAN - CW
11	WD-900-4521	1	S	PULLEY - drive (Includes drive plate)
12	WD-113-121	UAR		BOLT - 5/16" - 18 x 2-1/4"
	WD-113-110	UAR		BOLT - 5/16" - 18 x 1-1/4"
	WD-113-103	UAR		BOLT - 5/16" - 18 x 1"
13	WD-192-20	8		LOCKWASHER - 5/16"
14	WD-129-102	8		NUT - 5/16" - 18
15	WD-111-0003	1		RETAINER - belt



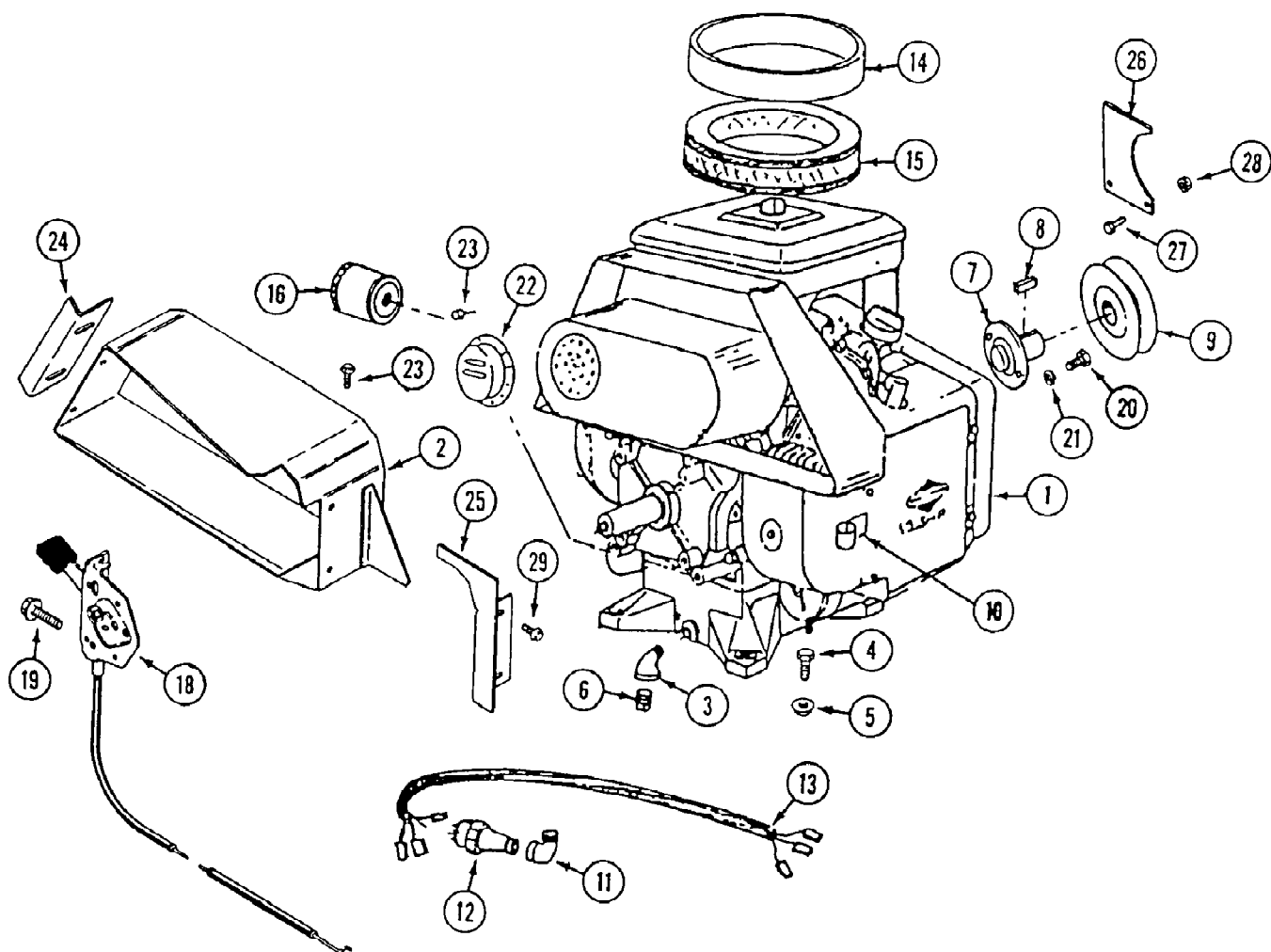
135-006-190 FR-16 (1995)
Electric Clutch (PTO)

Page 20 of 46

Ref #	Part Number	Qty	S/P/F	Description
1	WD-900-5581	1	S	CLUTCH ASSEMBLY
2	WD-900-5582	1		BRAKE - clutch
3	WD-900-5583	1		ARMATURE - clutch
4	WD-900-5584	1	S	ROTOR - clutch
5	WD-900-5586	1		KIT - spring and nut (3 each)
6	WD-900-5585	1	S	COIL - clutch
7	WD-C37562	1	/P	BRACKET - clutch stop
8	WD-C31615	1		WASHER - retaining
9	WD-195-104	2		WASHER - 7/16"
10	WD-192-21	1	S	LOCKWASHER - 3/8"
11	WD-C31614	1		WASHER - 1-1/8"
12	WD-192-22	2		LOCKWASHER - 7/16"
13	WD-113-335	2		BOLT - 7/16" - 14 x 3/4"
14	WD-114-201	1	/P	BOLT - 3/8" - 24 x 1-1/4"
?15	WD-195-104	2		WASHER - 7/16"



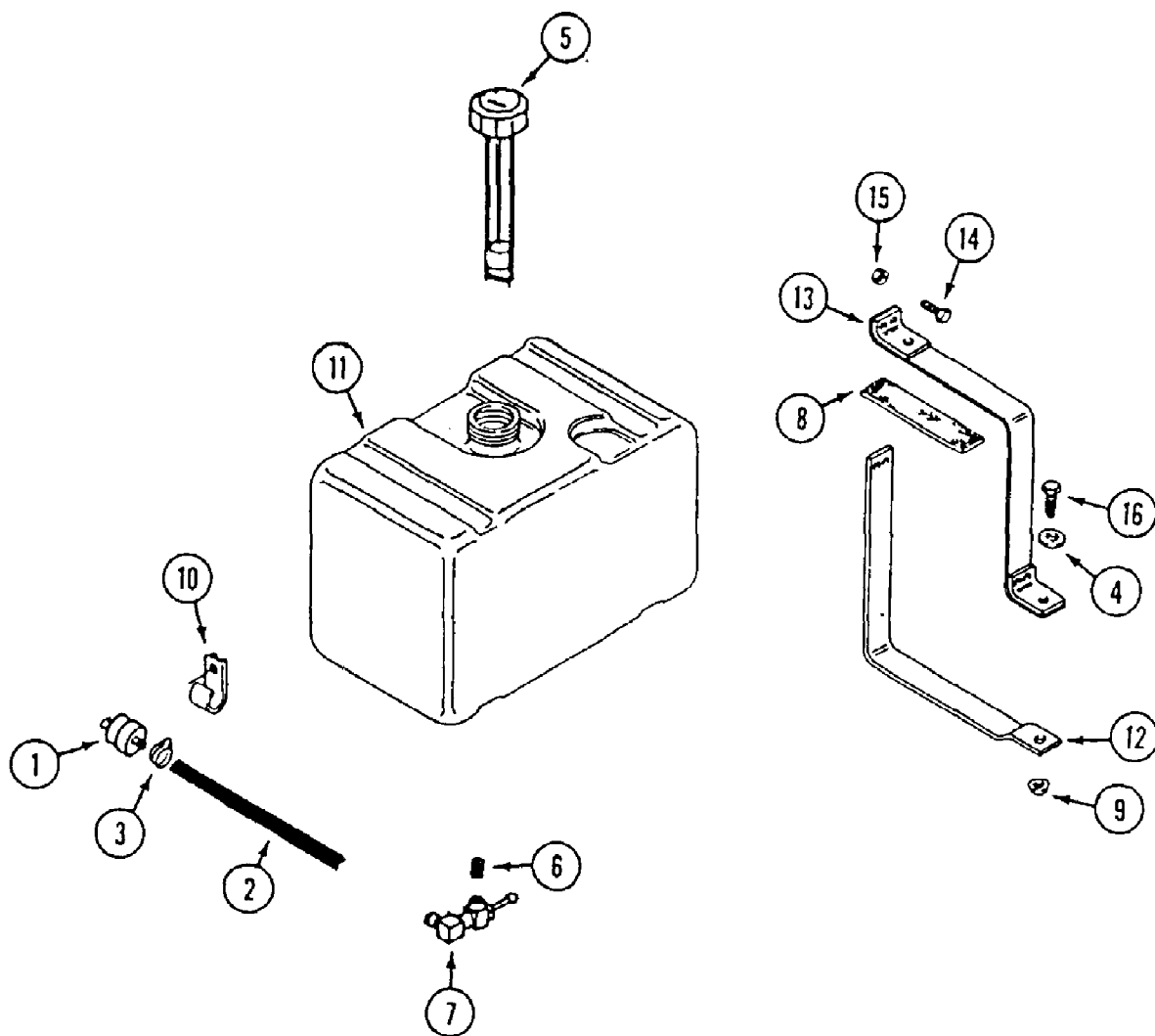
Ref #	Part Number	Qty	S/P/F	Description
	WD-C45535	1		HARNESS - wire, main
1	WD-C45539	1		HARNESS - wire, alternator and magneto
2	WD-900-2044	1	S	BREAKER - circuit, 10 amp.
3	WD-C32178	2	/P	HEADLIGHT
	WD-900-2024	1	S	LENS - headlight
	WD-900-2025	1	S	BULB - headlight
	WD-900-2026	1		RECEPTICAL
	WD-900-2068	1		GASKET - headlight
4	WD-C31937	1		SWITCH - PTO (Also use C31619 Cap)
	WD-C44469	1		NUT - 1/2" - 27 PTO switch retaining
	WD-C31620	1		NUT - 1/2" - 27 (Black) PTO switch retaining
5	WD-C43044	1		SWITCH - headlight
6	WD-C30267	1		SWITCH - ignition
	WD-C32407	1		KEY - ignition
	WD-C32397	1		CAP - nut, ignition switch
	WD-193-63	1		LOCKWASHER - 5/8
	WD-C32396	1		NUT - 5/8" - 32 ignition switch
7	WD-C29413	1		AMMETER
8	WD-C42929	1		METER - hour
9	WD-C45536	1		LIGHT - oil
10	WD-C45537	1		SWITCH - seat
11	WD-900-2029	1	S	SWITCH - safety
	WD-182-525	1		SCREW - #10 - 32 x 3/8" (safety switch mount)
	WD-192-18	1		LOCKWASHER - 3/16" (safety switch mount)
12	WD-C41010	1	S	BATTERY - 12 volt (Also see "Body" illustration and parts list.)
13	WD-C44261	1		WIRE - starter
14	WD-900-5581	1	S	CLUTCH - PTO
15	WD-900-2009	1		CABLE - ground
16	WD-C44075	1		WIRE - headlight
17	WD-C33024	1	S	SOLENOID - start
	WD-113-3	2		BOLT - 1/4" - 20 x 3/4" (solenoid mounting)
	WD-131-934	2		NUT - 3/4" - 20 (solenoid mounting)
	WD-192-19	2		LOCKWASHER - 1/4" (solenoid studs)
	WD-129-101	2		NUT - 1/4" - 20 (solenoid studs)
18	WD-900-2010	1		CABLE - battery positive to solenoid
19	WD-900-5017	1	S	SWITCH - oil light
20	WD-C41643	1		WIRE - ground
21	WD-C42240	1		HARNESS - oil pressure switch
22	WD-C31947	1		KIT - fuse holder
23	WD-C30260	1		FUSE - 30 amp.
24	WD-C45538	1		WIRE - carburetor solenoid



135-006-190 FR-16 (1995)
Engine & Attaching Parts

Page 24 of 46

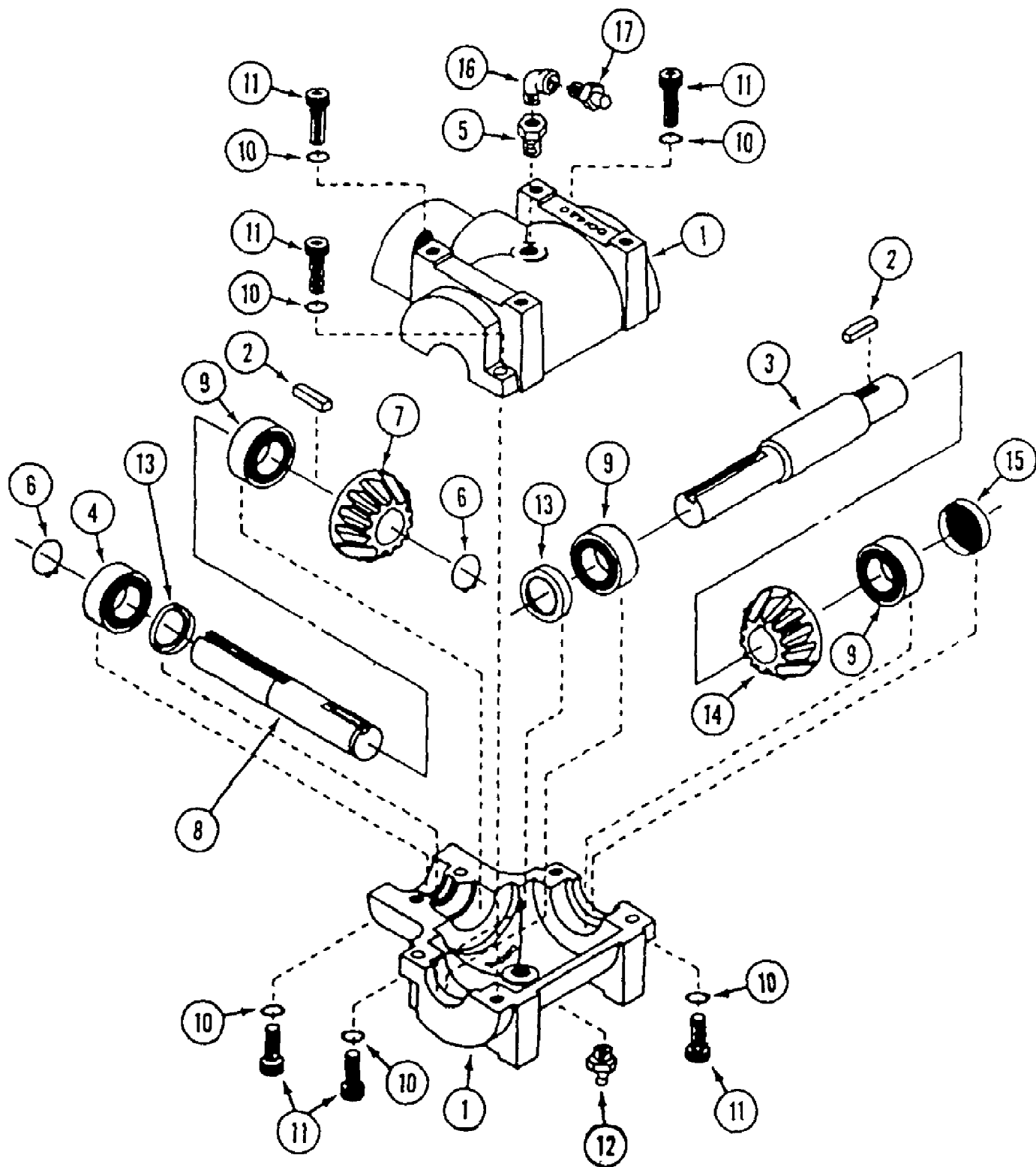
Ref #	Part Number	Qty	S/P/F	Description
1	WD-C41675	1		ENGINE - Briggs and Stratton For model 422447, Spec. No. 1277
2	WD-C45077	1		DUCT - air
3	WD-221-1413	1		ELBOW - street 3/8"
4	WD-113-104	4		BOLT - 5/16" - 18 x 1-1/4"
5	WD-131-911	4	S	NUT - 5/16" - 18
6	WD-900-5022	1	S	PLUG - pipe 3/8"
7	WD-100-0013	1	S	SHAFT - stub
8	WD-C41015	1	S	KEY - 1/4" x 1/4" x 1"
9	WD-900-2503	1	S	PULLEY - drive (Use 83-55 set screw)
10	WD-C32455	2		RETAINER - starter cable
11	WD-221-411	1		ELBOW - street 1/8"
12	WD-900-5017	1	S	UNIT - oil sending
13	WD-C42240	1		HARNESS - wire
14	WD-900-5008	1	S	PRECLEANER
15	WD-900-5005	1	S	FILTER - air
16	WD-900-5022	1	S	FILTER - oil
?17	WD-121-21	7		BOLT - 1/4" - 20 flange lock
18	WD-900-5508	1		CABLE - choke
	WD-900-5605	1	S	CABLE - throttle
19	WD-C39403	4		SCREW - #12 x 1/2"
20	WD-192-21	2	S	LOCKWASHER - 3/8"
21	WD-113-207	2	S	BOLT - 3/8" - 16 x 1"
22	WD-C33444	1		DEFLECTOR - exhaust
23	WD-187-1041	4		SCREW - #8 - 32 x 3/8"
24	WD-C45078	1		DEFLECTOR - front extension
25	WD-C45079	1		DEFLECTOR - rear extension
26	WD-111-0012	1		RETAINER - drive belt
27	WD-113-4	2		BOLT - 1/4" - 20 x 1"
28	WD-131-71	2		NUT - 1/4" - 20 lock
29		1		UNKNOWN



135-006-190 FR-16 (1995)
Fuel System

Page 26 of 46

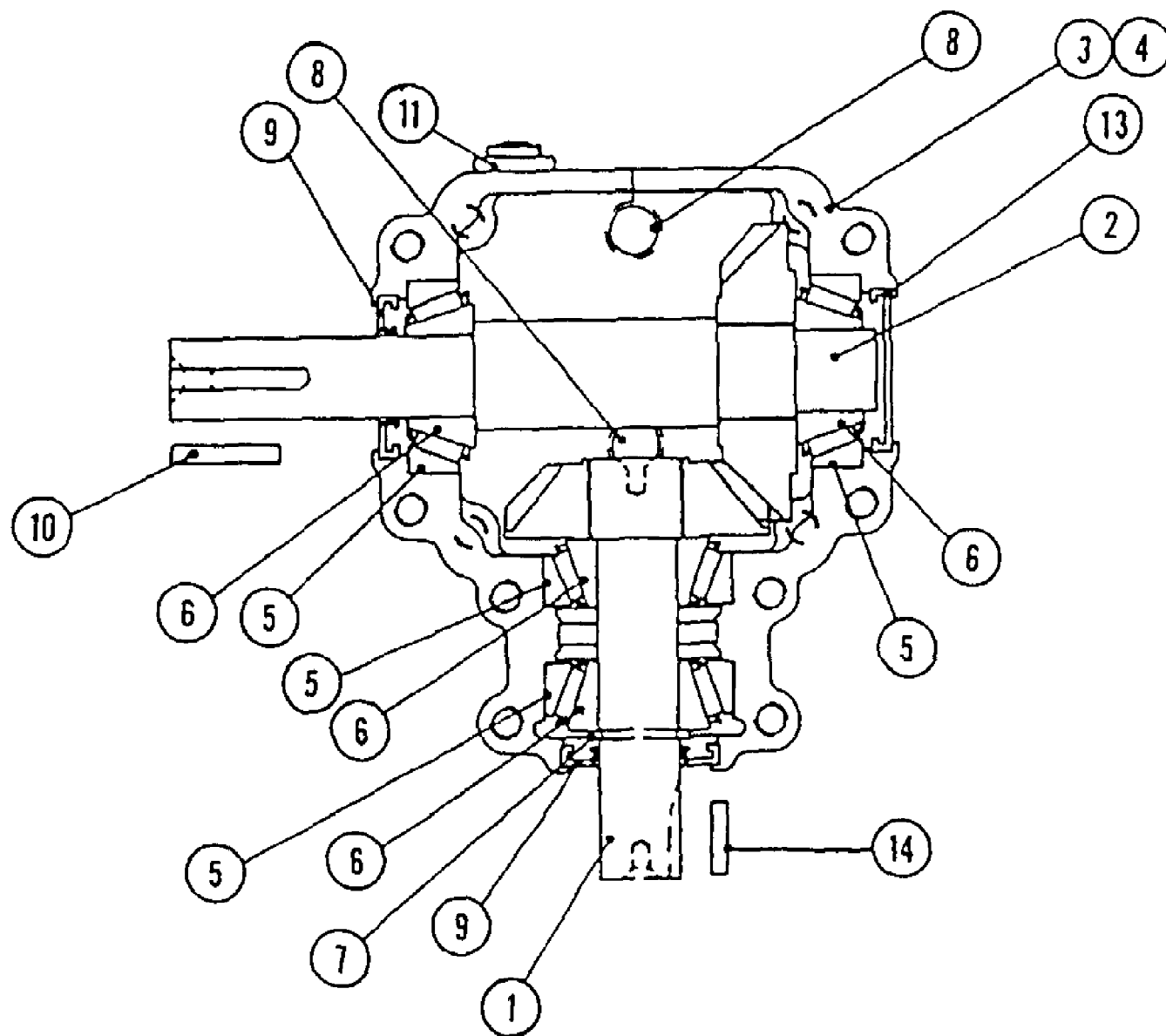
Ref #	Part Number	Qty	S/P/F	Description
1	WD-900-5514	1	S	FILTER - fuel
2	WD-C41713	1		HOSE - fuel (cut to length)
3	WD-214-103	4		CLAMP - hose
4	WD-195-521	2		WASHER - 5/16"
5	WD-C45334	1		CAP - fuel tank (with gauge) 2-1/4" (Use on plastic tank)
6	WD-221-1101	1		NIPPLE - pipe 1/8"
7	WD-900-5513	1		VALVE - shut off
8	WD-C34189	2		CUSHION
9	WD-131-911	2	S	NUT - 5/16" - 18 flange lock
10	WD-C32455	1		CLIP - "J" fuel line
11	WD-C45333	1		TANK - fuel (2-1/4" filler tube) (plastic)
12	WD-C45061	1		BRACKET - fuel tank
13	WD-C45062	1		STRAP - fuel tank
14	WD-113-17	2		BOLT - 1/4" - 20 x 1-1/4"
15	WD-131-71	2		NUT - 1/4" - 20 lock
16	WD-113-103	2		BOLT - 5/16" - 18 x 1"



135-006-190 FR-16 (1995)
Gear Box (Curtis)

Page 28 of 46

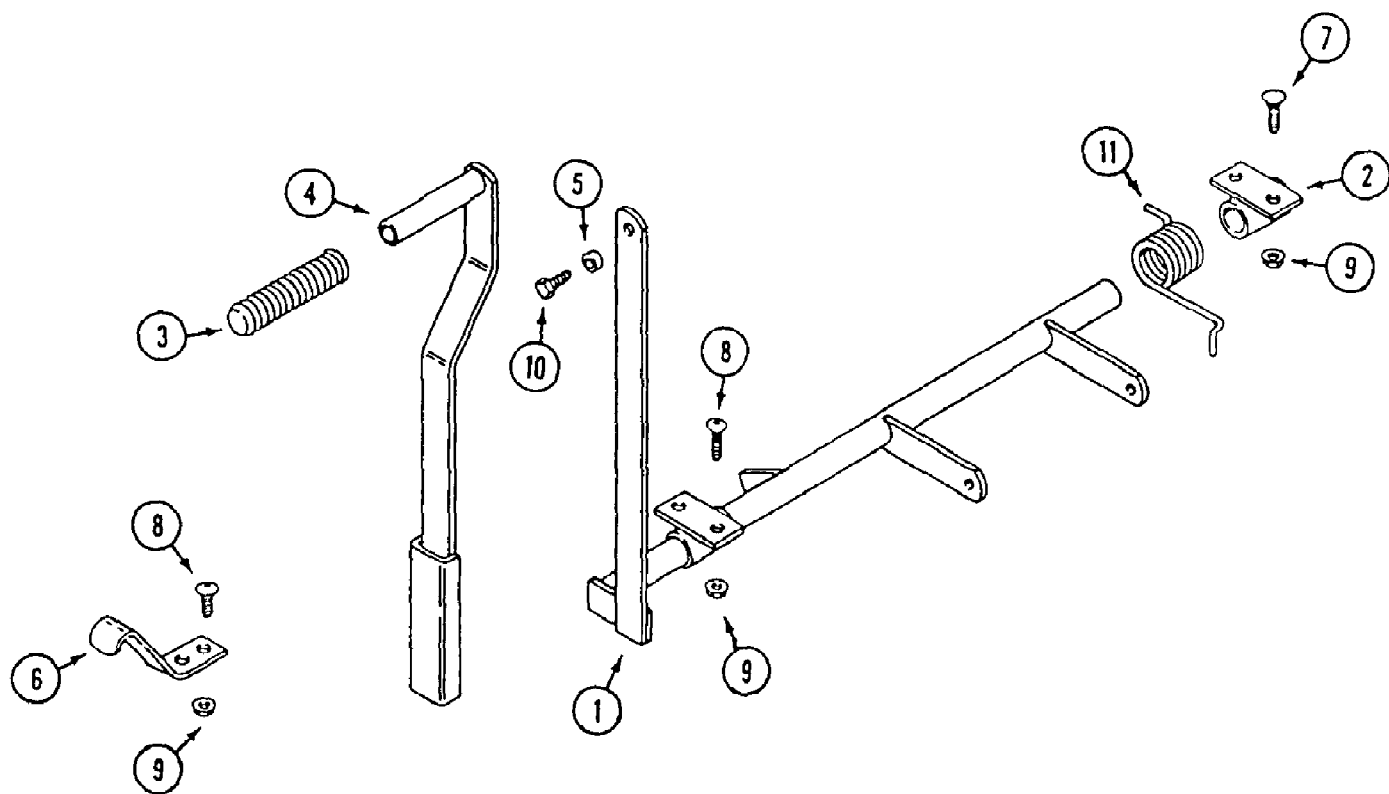
Ref #	Part Number	Qty	S/P/F	Description
	WD-C44917	1		GEAR BOX
1	WD-C37959	2		HOUSING - half
2	WD-C29581	2		KEY - 3/16" x 3/16" x 1"
3	WD-C37960	1		SHAFT - input
4	WD-C37961	1	S	BEARING - ball
5	WD-221-84	1		BUSHING - pipe 1/4" x 1/8"
6	WD-C37963	2		RING - retaining
7	WD-C37964	1		GEAR - output shaft
8	WD-C37965	1	/P	SHAFT - output
9	WD-C37966	3	/P	BEARING - ball
10	WD-C37967	6		LOCKWASHER
11	WD-C37968	6		CAP SCREW - allen head
12	WD-219-23	1		FITTING - grease 1/4" NPT
13	WD-C37969	2	/P	SEAL - shaft
14	WD-C37970	1		GEAR - input shaft
15	WD-C37971	1	/P	PLUG - expansion
16	WD-221-441	1		ELBOW - street 1/8" x 90°.
17	WD-C28241	1		VALVE - relief
	WD-C37975	1		GREASE - synthetic, cartridge



135-006-190 FR-16 (1995)
Gear Box (Superior)

Page 30 of 46

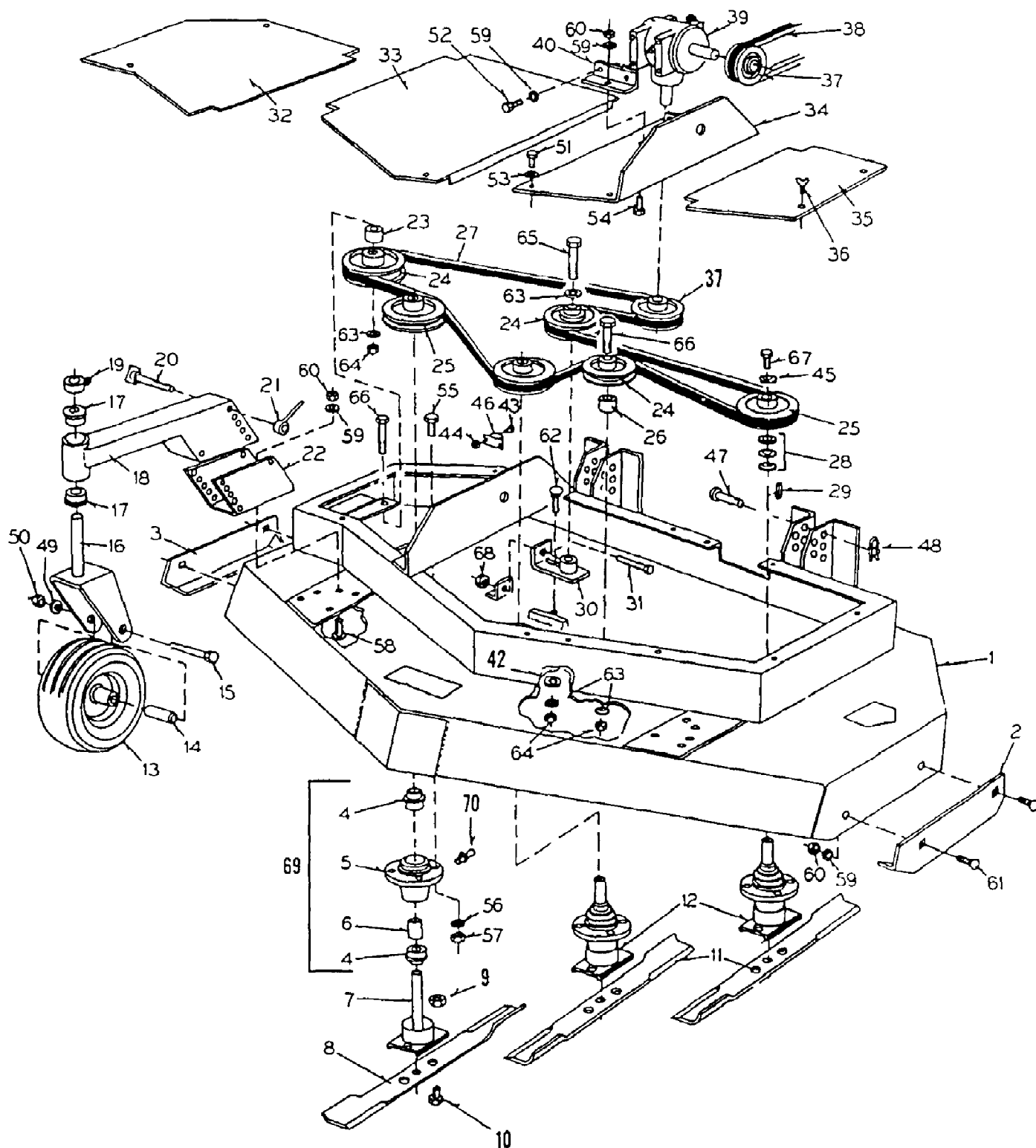
Ref #	Part Number	Qty	S/P/F	Description
	~NSS	1		GEAR BOX (Use C44917 for service)
1	WD-C42924	1		SHAFT - pinion, with gear
2	WD-C42923	1		SHAFT - cross, with gear
3	WD-C42917	1		HOUSING - with tapped holes
4	WD-C42927	1		HOUSING - with thru holes (Not shown)
5	WD-C42918	4		CUP - bearing
6	WD-C42921	4		CONE - bearing
7	WD-C42919	1		RING - retaining
8	WD-C42920	3		PLUG - pipe 1/4"
9	WD-C42922	2		SEAL - shaft
10	WD-C29581	1		KEY - 3/16" x 1" input shaft
11	WD-C42928	1		PIPE - vent
?12	WD-C42926	8		BOLT - 5/16" x 1" socket head (Not shown)
13	WD-C42925	1		CAP - end
14	WD-C28215	1		KEY - 3/16" x 5/8" output shaft



135-006-190 FR-16 (1995)
Lift Lever

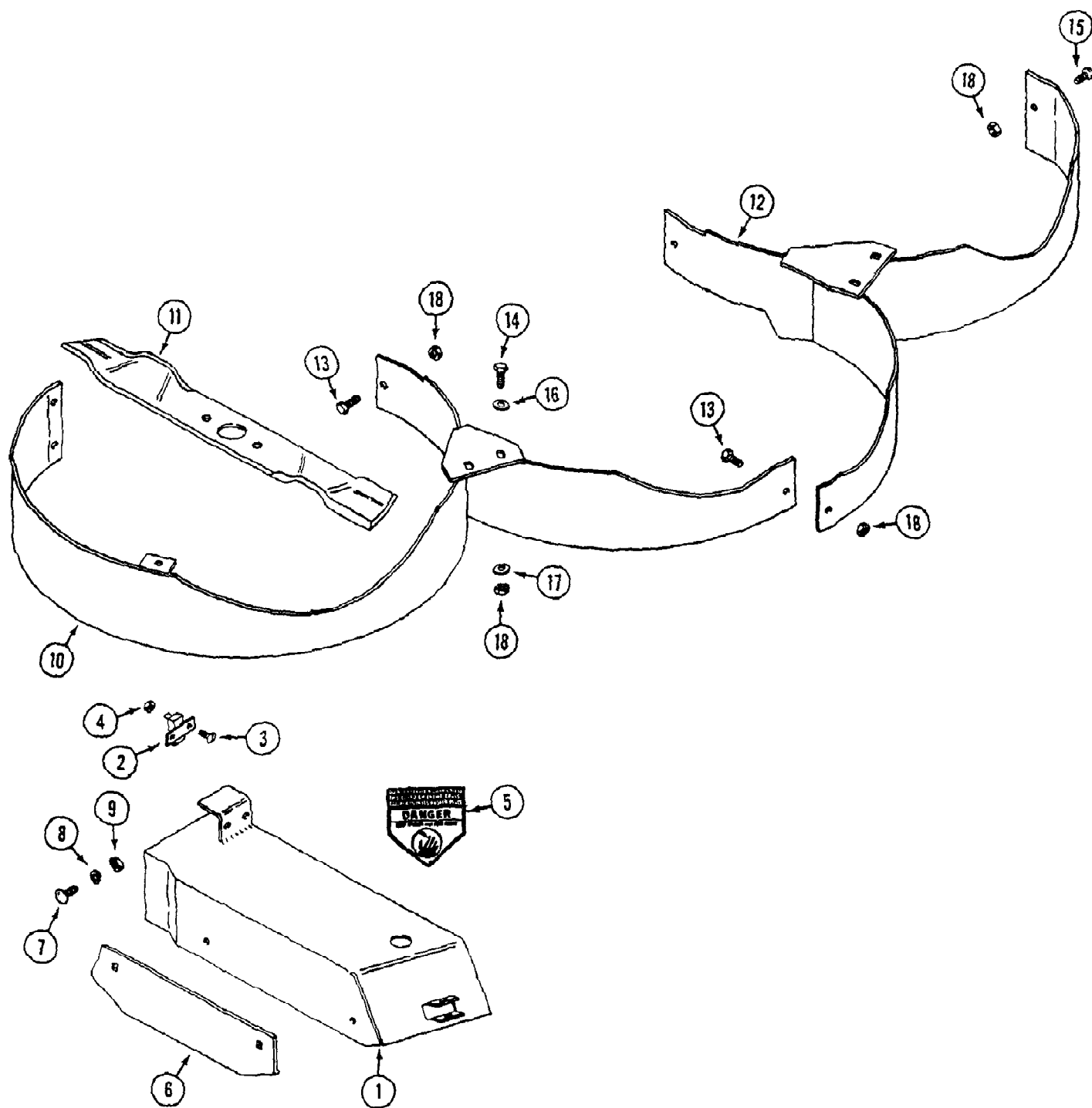
Page 32 of 46

Ref #	Part Number	Qty	S/P/F	Description
1	WD-C44942	1		LEVER - lift
2	WD-C44948	1		PIVOT - lift
3	WD-900-5500	1	S	GRIP - handle
4	WD-C44949	1		EXTENSION - lift lever, upper
5	WD-C42895	1	/P	BUSHING
6	WD-C44952	1		BRACKET - lever lock down
7	WD-111-132	4		BOLT - carriage 5/16" - 18 x 3/4"
8	WD-C42056	2		SCREW - 5/16" - 18 x 5/8" allen head
9	WD-131-911	8	S	NUT - 5/16" - 18 flange lock
10	WD-113-1	1		BOLT - 1/4" - 20 x 1/2"
11	WD-C45120	1		SPRING - torsion



Ref #	Part Number	Qty	S/P/F	Description
1	WD-C44087	1		DECK - rear discharge 52"
2	WD-320-0014	1		SHOE - skid L.H.
3	WD-321-0003	1		SHOE - skid R.H.
4	WD-C45886	6		BEARING - spindle 7/8
5	WD-300-0025	3	S	HOUSING - spindle
6	WD-C45884	3		SPACER - spindle
7	WD-C44128	1		SHAFT - spindle L.H. rotation
8	WD-C44137	1		BLADE - L.H. rotation
9	WD-131-1216	6		NUT - 3/8" - 16 lock
10	WD-113-268	6		BOLT - 3/8" - 16 x 1"
11	WD-C44136	2		BLADE - R.H. rotation
12	WD-C44128	2		SHAFT - spindle
13	WD-900-4004	2		WHEEL - gauge
	WD-900-4006	1		TIRE - 11 x 4.00 - 5
	WD-900-4005	1		RIM - 5"
	WD-900-3505	2	S	BEARING - wheel
14	WD-200-0017	2	S	AXLE - gauge wheel
15	WD-900-6133	2	S	BOLT - 1/2" - 13 x 6-1/2"
16	WD-330-0007	2		FORK - gauge wheel
17	WD-900-3501	4	S	BEARING - 1"
18	WD-300-0043	2		MOUNT - gauge wheel
19	WD-900-5510	2		COLLAR - set 1,"
20	WD-900-6096	4		BOLT - wing 3/8" - 16 x 4-1/2"
21	WD-900-6092	4		NUT - gauge wheel handle 3/8" - 16
22	WD-300-0044	2	S	BRACKET - gauge wheel mount
23	WD-321-0005	1		SPACER - idler pulley
24	WD-900-2558	3	S	PULLEY - idler 5"
25	WD-900-2557	3		PULLEY - spindle 4-1/2"
26	WD-300-0016	1	S	SPACER - idler pulley
27	WD-900-3028	1	S	BELT - deck
28	WD-900-6002	6	S	WASHER - spacer
29	WD-300-0021	5	S	KEY - 3/16" x 3/16" x 1"
30	WD-300-0015	1		TIGHTENER - belt
31	WD-900-6034	1		BOLT - 1/4" - 20 x 4"
32	WD-321-0002	1		COVER - R.H.
33	WD-320-0002	1		COVER - center
34	WD-321-0001	1		MOUNT - gear box
35	WD-320-0001	1		COVER - L.H.
36	~NSS	6		SCREW - thumb 1/4" - 20 x 1/2" (Use 113-3 and 192-19)
37	WD-900-2525	1	S	PULLEY - gear box (Use 83-55 set screw)
38	WD-900-3004	1	S	BELT - drive
39	WD-900-5842	1	S	GEAR BOX - angle drive (See "Gear Box (Curtis)" illustration and parts list for service) (Curtis model)
	WD-C42775	1	S	GEAR BOX - angle drive (See "Gear Box (Superior)" illustration and parts list for service) (Superior model)
40	WD-310-0006	1		ANGLE - gear box mount
42	WD-C30694	1		WASHER - 3/8"
43	WD-C37597	2		SCREW - #10 - 32 x 1/2"

Ref #	Part Number	Qty	S/P/F	Description
44	WD-900-6150	2		NUT - lock #10 - 32
45	WD-C45846	3		WASHER - spindle 3/8" hardened
46	WD-900-2044	1	S	BREAKER - circuit 10 amp.
47	WD-141-56	2		PIN - clevis 1/2" x 1-1/2"
48	WD-900-5520	2		PIN - cotter, hair
49	WD-900-6127	2	S	LOCKWASHER - 1/2"
50	WD-C37593	2	S	NUT - 1/2" - 13
51	WD-C38084	5		BOLT - 1/4" - 20 x 3/4"
52	WD-C38085	4		BOLT - 5/16" - 18 x 1"
53	WD-C37757	7		LOCKWASHER - 1/4"
54	WD-C38086	1		BOLT - 5/16" - 18 x 3/4"
55	WD-C38087	1		BOLT - 7/16" - 14 x 1-1/4"
56	WD-C38088	12		LOCKWASHER - 7/16"
57	WD-C38089	12	/P	NUT - 7/16" - 14
58	WD-C38090	6		BOLT - carriage 5/16" - 18 x 1"
59	WD-C37748	10		LOCKWASHER - 5/16"
60	WD-C37560	10		NUT - 5/16"
61	WD-C38091	4		BOLT - carriage 5/16" - 18 x 3/4"
62	WD-C38092	1	S	BOLT - carriage 3/8" - 16 x 1"
63	WD-C37591	4		LOCKWASHER - 3/8"
64	WD-C37592	3	S	NUT - 3/8" - 16
65	WD-C38093	1		BOLT - 3/8" - 16 x 1-1/4"
66	WD-C38094	2		BOLT - 3/8" - 16 x 2-1/2"
67	WD-114-201	3	/P	BOLT - 3/8" - 24 x 1-1/4"
68	WD-C37734	1	S	NUT - lock 1/4" - 20
69	WD-C45859	3	/P	HOUSING ASSEMBLY - spindle (Includes ref. 4, 5 and 6)
70	WD-219-20	3		FITTING - grease 1/4" - 28

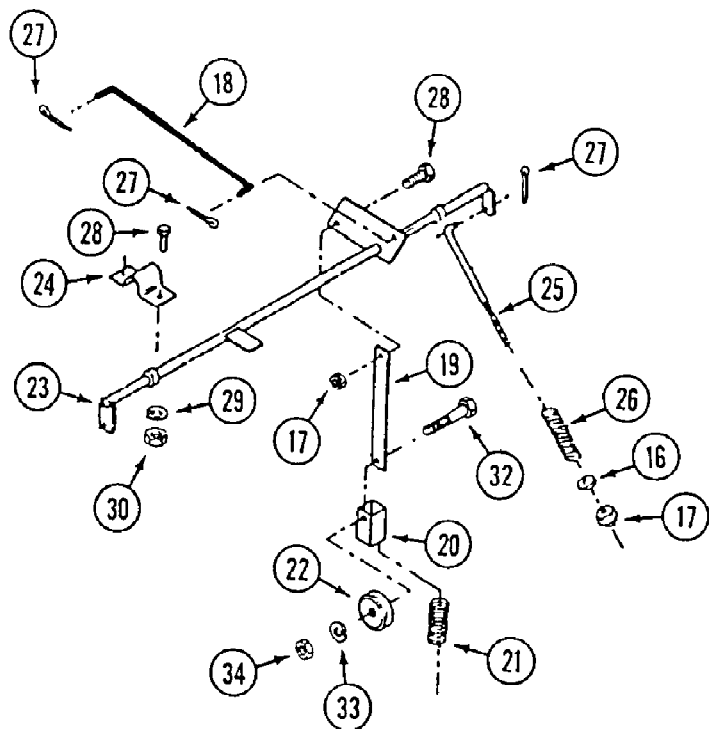
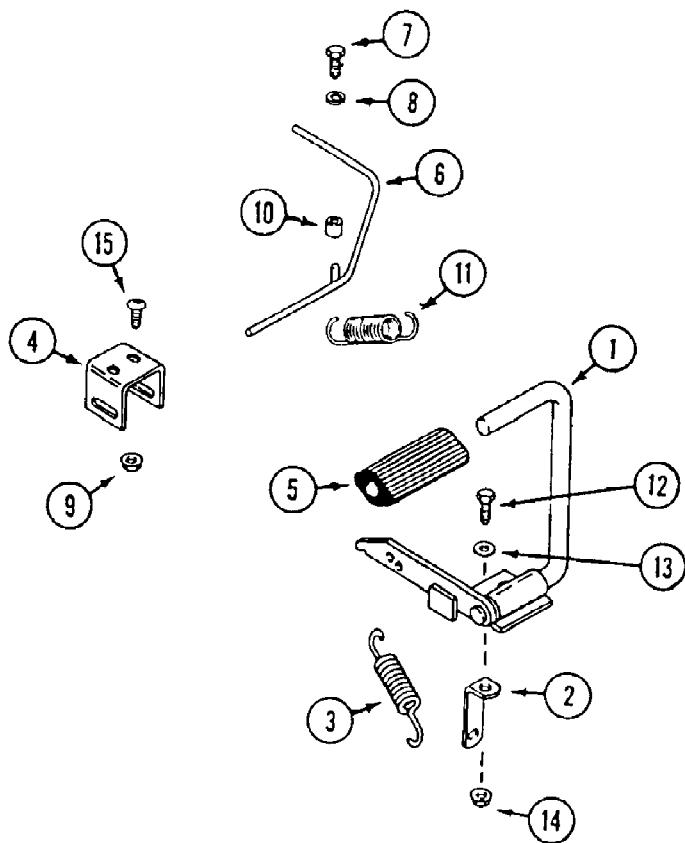


135-006-190 FR-16 (1995)
Mulching Kits

Page 37 of 46

Ref #	Part Number	Qty	S/P/F	Description
1	WD-C46238	1		CAP - end (For W873 deck)
	WD-C46746	1		CAP - end (For W815 deck)
	WD-C45512	1		CAP - end (For W816, W874 deck) shown
2	WD-C37505	1	S	BREAKER - 10 amp.
3	WD-182-528	2		SCREW - #10 - 32 x 1/2"
4	WD-193-1000	2		NUT - #10 - 32 lock
5	WD-C37494	1		DECAL - "Danger"
6	WD-C37956	1	S	SHOE - skid (For W815, W816, W874 deck)
	WD-C46701	1		SHOE - skid (For W815 deck)
7	WD-111-132	2		BOLT - 5/16" - 18 x 3/4" carriage
8	WD-192-20	2		WASHER - lock 5/16"
9	WD-129-102	2		NUT - 5/16" - 18
10	WD-C46749	1		BAFFLE - R.H. (For W815 deck)
	WD-C45516	1		BAFFLE - R.H. (For W816, W824 deck) shown
	WD-C46240	1		BAFFLE - R.H. (For W873 deck)
11	WD-C45901	3		BLADE - 18" (For W873 deck before S/N 011312080)
	WD-C46060	3		BLADE - 21.5" (For W874 deck before S/N 011306009)
	WD-C45248	3		BLADE - (18") (For W815 deck) (for W873 deck S/N 011312080 and after)
	WD-C45511	3		BLADE - (21.5") (For W816 deck) (for W874 deck S/N 011306009 and after) shown
12	WD-C46244	1		BAFFLE - L.H. (For W873 deck)
	WD-C46751	1		BAFFLE - L.H. (For W815 deck)
	WD-C46519	1		BAFFLE - L.H. (For W816, W874 deck) shown
13	WD-113-102	6		BOLT - 5/16" - 18 x 3/4"
14	WD-113-103	4		BOLT - 5/16" - 18 x 1"
15	WD-C42056	1		SCREW - 5/16" x 18 x 5/8"
16	WD-195-521	7		WASHER - 6/16" x 5/8"
17	WD-195-103	4		WASHER - 3/8" x 7/8"
18	WD-131-69	11		NUT - 5/16" - 18 lock

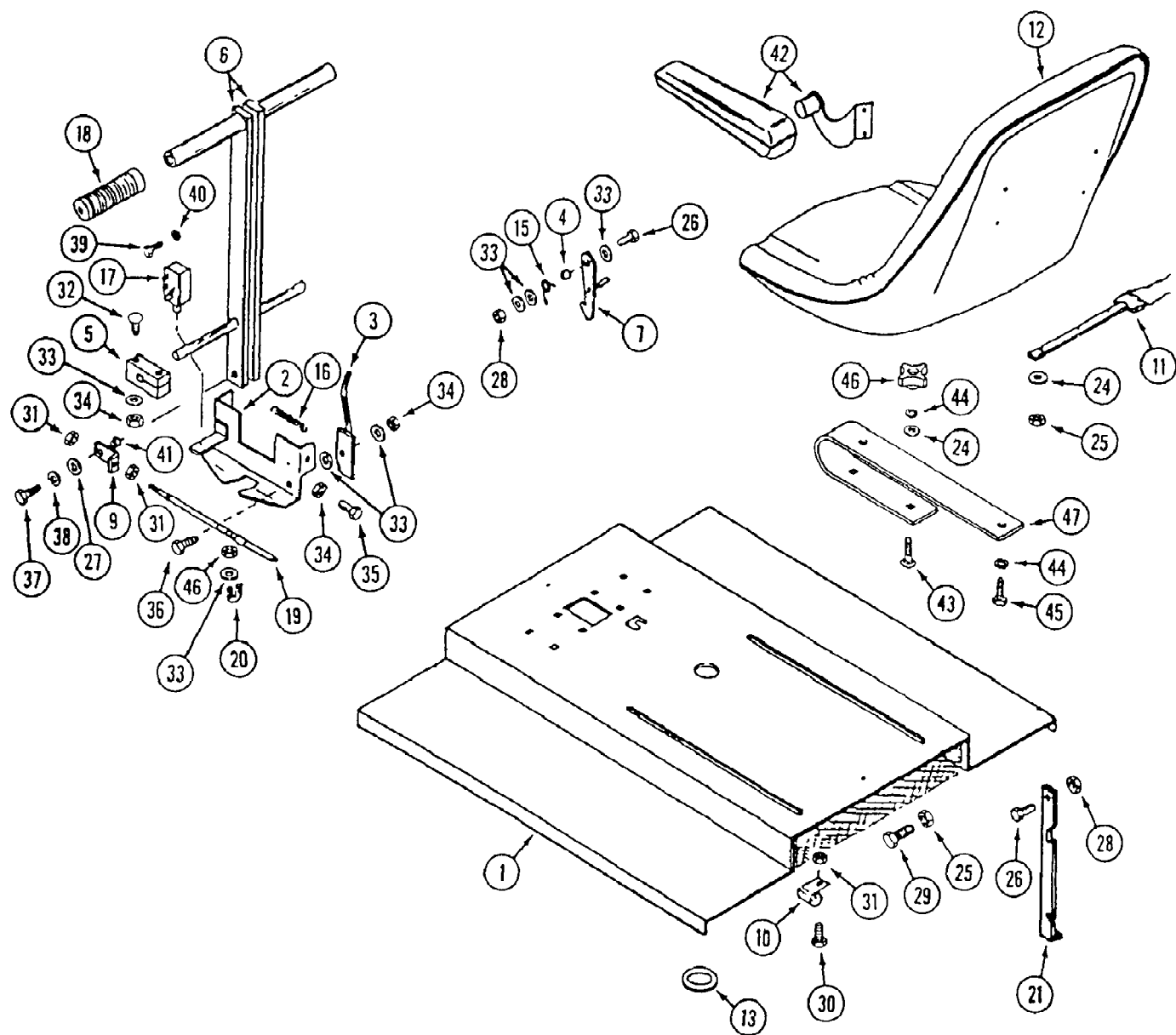
135-006-190 FR-16 (1995)
Parking Brake



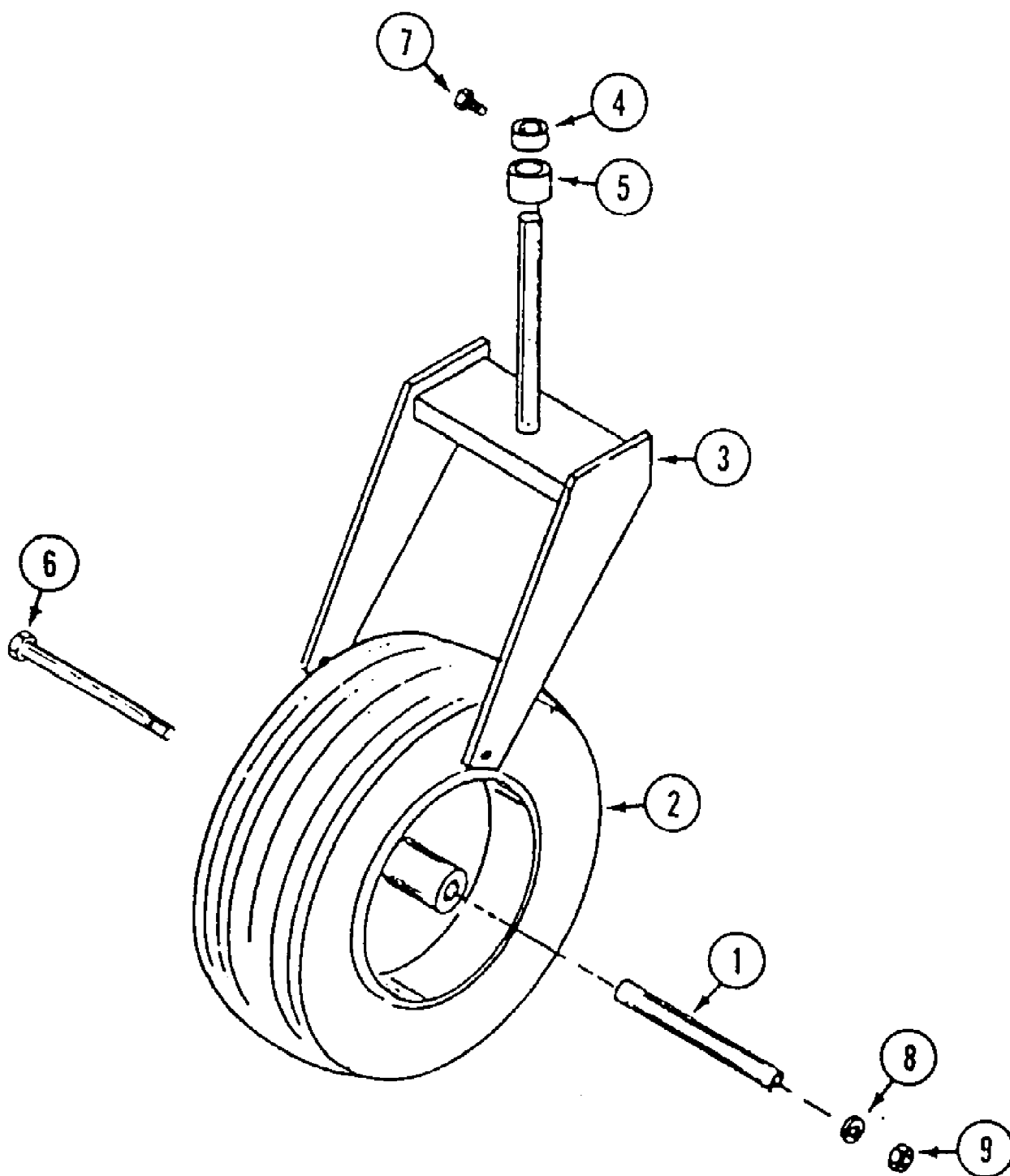
135-006-190 FR-16 (1995)
Parking Brake

Page 39 of 46

Ref #	Part Number	Qty	S/P/F	Description
1	WD-C44420	1		PEDAL - parking brake
2	WD-C44424	1		TAB - spring mount
3	WD-900-5569	1	S	SPRING - brake return
4	WD-C44425	1		BRACKET - brack lock
5	WD-900-5563	1	S	PAD - brake pedal
6	WD-C44969	1		LEVER - brake lock
7	WD-C42056	1		SCREW - 5/16" - 18 x 5/8" allen head
8	WD-192-20	1		LOCKWASHER - 5/16"
9	WD-131-934	2		NUT - 1/4" - 20 flange lock
10	WD-201-0002	1		TAB - pivot
11	WD-900-5562	1		SPRING - return, lock lever
12	WD-113-103	2		BOLT - 5/16" - 18 x 1"
13	WD-195-103	1		WASHER - 5/16"
14	WD-131-911	2	S	NUT - 5/16" - 18 flange lock
15	WD-C44981	2		SCREW - 1/4" - 20 x 1/2" allen head
16	WD-195-102	2		WASHER - 1/4"
17	WD-131-71	5		NUT - 1/4" - 20 lock
18	WD-113-0006	1		ROD - brake pedal
19	WD-113-0012	1		LINK - idler pulley
20	WD-111-0019	1		TUBE - drive idler
21	WD-900-5580	1		SPRING - idler
22	WD-900-2519	1		PULLEY - idler
23	WD-111-0037	1		ROD - cross, brake and clutch
24	WD-111-0004	2	S	BEARING - cross rod
25	WD-111-0007	2		ROD - caliper
26	WD-900-5722	2		SPRING - caliper
27	WD-132-332	4		PIN - cotter 3/32" x 1"
28	WD-113-3	5		BOLT - 1/4" - 20 x 3/4"
29	WD-102-19	4		LOCKWASHER - 1/4"
30	WD-129-101	4		NUT - 1/4" - 20
?31	WD-131-71	1		NUT - 1/4" - 20 lock
32		1		UNKNOWN
33		1		UNKNOWN
34		1		UNKNOWN



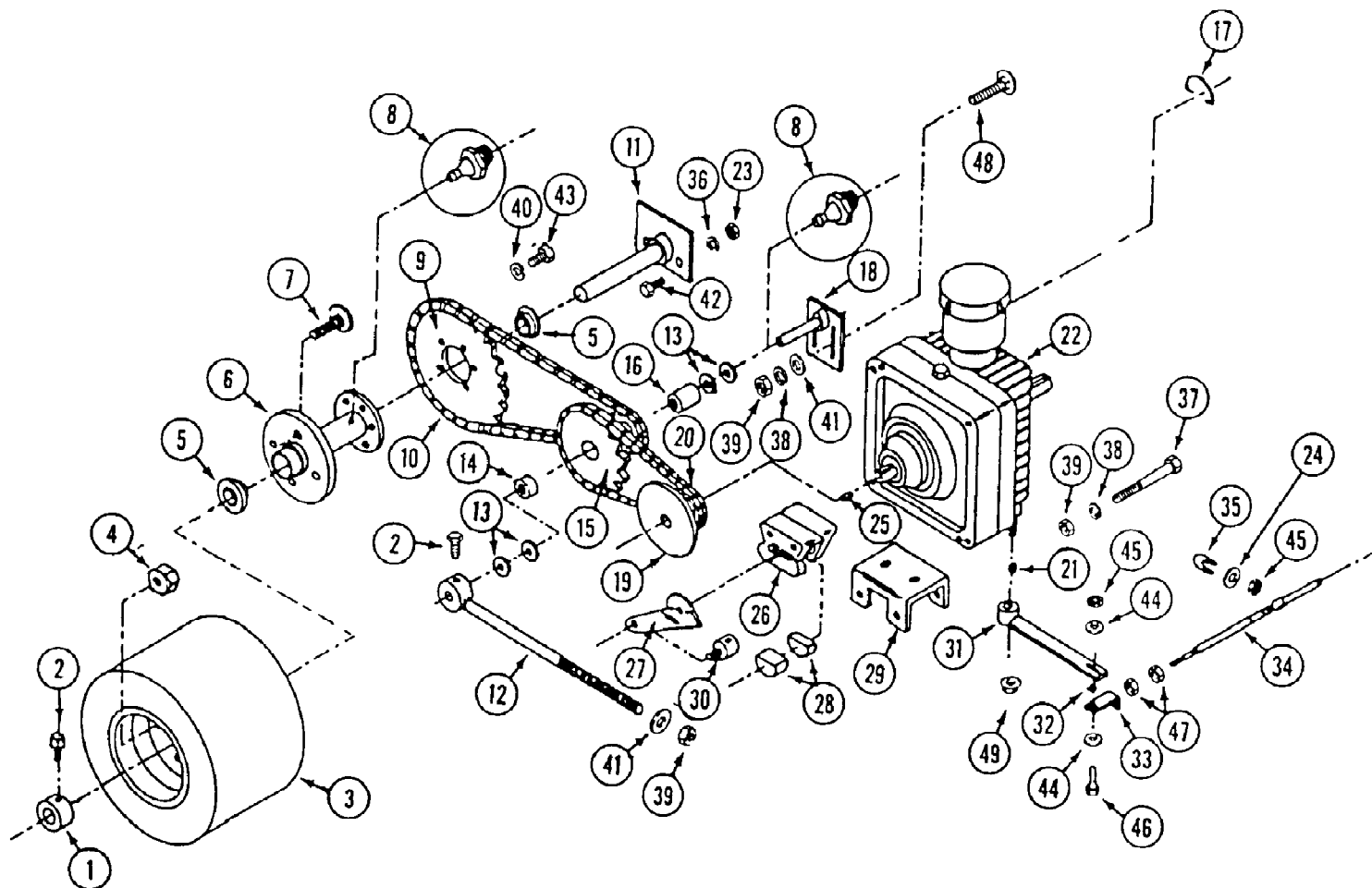
Ref #	Part Number	Qty	S/P/F	Description
1	WD-C44237	2		LID - seat
2	WD-201-0010	1		BRACKET - lever lock
3	WD-200-0012	1		LATCH - lever lock
4	WD-C44498	2		BUSHING
5	WD-200-0010	4		BEARING - block
6	WD-C44915	2		LEVER - steering
7	WD-C44481	1		LATCH - seat lid
9	WD-C42896	4		BRACKET - steering cable end
10	WD-C32455	1		RETAINER - harness, seat lid
11	WD-C45537	1		SWITCH - seat
12	WD-C43202	1		SEAT
13	WD-C25165	1		GROMMET - 1" x 1-3/4"
15	WD-900-5700	1		SPRING - latch, seat lid
16	WD-900-5501	1		SPRING - bracket, lever lock
17	WD-900-2029	1	S	SWITCH - safety
18	WD-900-5500	2	S	GRIP - handle
19	WD-900-5502	2	S	CABLE - steering
20	WD-900-5503	UAR	S	CLAMP - steering cable
21	WD-200-0008	1		PROP - seat lid
24	WD-195-103	4		WASHER - 5/16"
25	WD-131-69	4		NUT - 5/16"
26	WD-113-4	2		BOLT - 1/4" - 20 x 1"
27	WD-195-520	2		WASHER - 1/4"
28	WD-131-71	2		NUT - 1/4" - 20 lock
29	WD-113-103	2		BOLT - 5/16" - 18 x 1"
30	WD-182-528	1		SCREW - #10 - 32 x 1/2"
31	WD-193-1000	5		NUT - #10 - 32
32	WD-111-114	8		BOLT - 1/4" - 20 x 1-1/2" carriage
33	WD-195-102	10		WASHER - 1/4"
34	WD-131-71	11		NUT - 1/4" - 20 lock
35	WD-113-3	2		BOLT - 1/4" - 20 x 3/4"
36	WD-C42359	1		BOLT 1/4" - 20 x 2"
37	WD-113-3	2		BOLT - 1/4" - 20 x 3/4"
38	WD-192-19	2		LOCKWASHER - 1/4"
39	WD-182-525	1		SCREW - #10 - 32 x 3/8"
40	WD-192-18	1		LOCKWASHER - 3/16"
41	WD-C42895	4	/P	BUSHING - steering cable
42	~NSS	1		KIT - arm rest Optional. Order as machinery item GDS13
	WD-C22947	1		TIE - nylon
43	WD-111-204	4		BOLT - 5/16" - 18 x 1-1/4" carriage
44	WD-192-20	8		LOCKWASHER - 5/16"
45	WD-113-103	4		BOLT - 5/16" - 18 x 1"
46	WD-C43438	4		KNOB - seat
47	WD-C43137	2		SPRING - seat



135-006-190 FR-16 (1995)
Single Tail Wheel

Page 43 of 46

Ref #	Part Number	Qty	S/P/F	Description
1	WD-200-0017A	1		AXLE - wheel
2	WD-900-4014	1		WHEEL ASSEMBLY - tail
	WD-C44499	2	S	BEARING - wheel
	WD-900-4015	1		TIRE - 15 x 6.00 - 6
	WD-900-4016	1		RIM - 6"
3	WD-210-0001	1		FORK - tail wheel
4	WD-900-5510	1		COLLAR - set 1"
5	WD-213-0003	1		SPACER - tail wheel fork
6	WD-C38055	1		BOLT - 1/2" - 13 x 8-1/2"
7	WD-85-58	1		SCREW -set 5/16" - 18 x 1/2" square head
8	WD-192-23	1		LOCKWASHER - 1/2"
9	WD-129-105	1	S	NUT - 1/2" - 13
	WD-219-92	1		FITTING - grease 90° 1/4" - 28 self tap (caster pivot)



Ref #	Part Number	Qty	S/P/F	Description
1	WD-900-5510	2		COLLAR - set 1"
2	WD-85-58	2		SCREW - set 5/16" - 18 x 1/2" square head
3	WD-C37988	2		WHEEL ASSEMBLY - drive
	WD-C37989	1		TIRE - 16 x 7.50 - 8
	WD-C37990	1		RIM - wheel
4	WD-C37657	8		NUT - lug 1/2" - 20
5	WD-900-3501	2	S	BEARING - wheel
6	WD-900-4033	1		HUB - wheel (7" long)
7	WD-C37661	4		BOLT - lug 1/2" - 20 x 1-1/4"
8	WD-219-20	1		FITTING - grease 1/4" - 28 self tapping
9	WD-901-1502	1	S	SPROCKET - final drive
10	WD-C44081	1		CHAIN - final drive (71 pitches)
11	WD-120-0001	1		AXLE - drive wheel (8-3/4" shaft)
12	WD-100-0017	2	S	COLLAR - support
13	WD-900-6003	8		WASHER - 3/4" 10 ga.
14	WD-900-3500	2	S	BEARING - idler sprocket 1/2"
15	WD-901-1501A	1	S	SPROCKET - idler (Includes bearings)
16	WD-900-3502	2		BEARING - idler sprocket 3/4"
17	WD-900-4510	2		CLIP - transmission dump valve
18	WD-100-0002	2	S	SHAFT - idler sprocket
19	WD-901-1505	2	S	SPROCKET - transmission (Includes brake disc)
20	WD-C44083	2	S	CHAIN - primary drive
21	WD-126-6	2		KEY - 1/8" x 3/8" Woodruff
22	WD-900-4504	1	S	TRANSMISSION - L.H. (CW) (Shown)
	WD-900-4505	1		TRANSMISSION - R.H. (CCW)
	WD-900-4528	1	S	KIT - seal
	WD-900-4529	1		KIT - reservoir, transmission
23	WD-129-105	4	S	NUT - 1/2" - 13
24	WD-195-102	4		WASHER - 1/4"
25	WD-126-9	2		KEY - woodruff 1/8" x 1/2"
	WD-900-5690	1		BRAKE ASSEMBLY - L.H.
	WD-900-5691	1		BRAKE ASSEMBLY - R.H.
26	~NSS	1		CALIPER - brake
27	WD-900-5565	1		LEVER - caliper L.H.
27	WD-900-5566	1		LEVER - caliper R.H.
28	WD-900-5567	1	S	PAD - brake (set)
29	WD-C38018	1		BRACKET - caliper
30	WD-111-0014	1		COLLAR - caliper rod
31	WD-900-4506	1		ARM - transmission L.H.
31	WD-900-4507	1		ARM - transmission R.H.
32	WD-C42895	2	/P	BUSHING - cable end
33	WD-C42896	2		END - steering cable
34	WD-900-5502	2	S	CABLE - steering
35	WD-900-5503	2	S	CLAMP - steering cable
36	WD-192-23	4		LOCKWASHER - 1/2"
37	WD-113-241	8		BOLT - 3/8" - 16 x 3"
38	WD-192-21	6	S	LOCKWASHER - 3/8"
39	WD-129-103	6	S	NUT - 3/8" - 16
40	WD-192-20	5		LOCKWASHER - 5/16"
41	WD-195-104	6		WASHER - 3/8"
42	WD-113-410	4		BOLT - 1/2" - 13 x 1-1/2"

135-006-190 FR-16 (1995)
Transmission & Drive Chains

Page 46 of 46

Ref #	Part Number	Qty	S/P/F	Description
43	WD-113-103	5		BOLT - 5/16" 18 x 1"
44	WD-195-520	4		WASHER - 1/4"
45	WD-131-71	6		NUT - 1/4" - 20 lock
46	WD-113-4	2		BOLT - 1/4" - 20 x 1"
47	WD-193-1000	4		NUT - #10 - 32 lock
48	WD-111-366	4		BOLT - carriage 3/8" - 16 x 1-1/4"
49	WD-131-1352	2		NUT - 3/8" - 16 flange lock